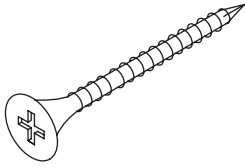
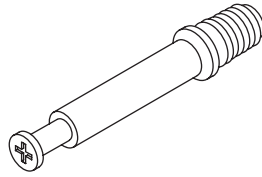


# HARDWARE LIST

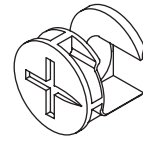
---



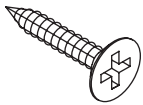
13 x A  
Screw



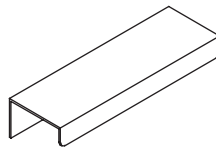
12 x B  
Quickfit Screw



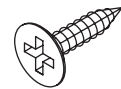
12 x C  
Cam Lock



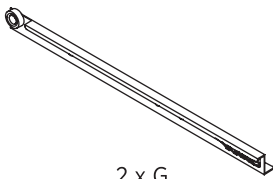
4 x D  
Screw



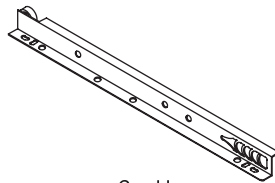
2 x E  
Handle



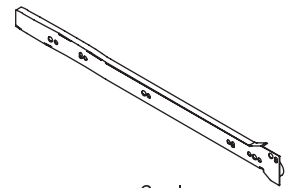
16 x F  
Screw



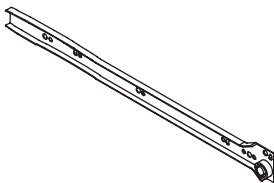
2 x G  
Inner Drawer Runner



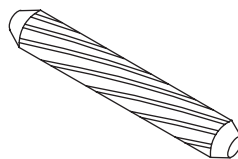
2 x H  
Inner Drawer Runner



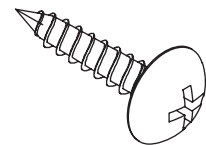
2 x I  
Outer Drawer runner



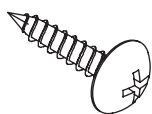
2 x J  
Outer Drawer Runner



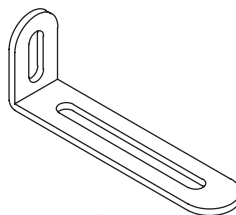
8 x K  
Wooden Dowel



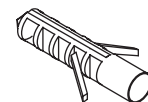
16 x L  
Screw



1 x M  
Screw



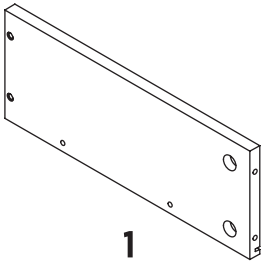
1 x N  
Wall Bracket



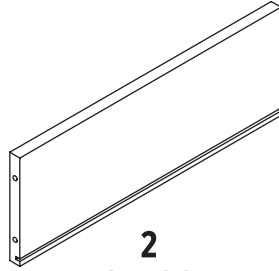
1 x O  
Wall Plug

# PARTS LIST

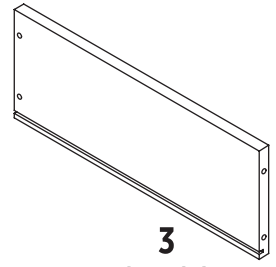
---



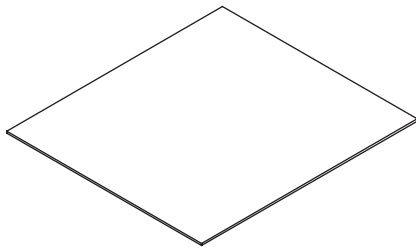
**1**  
2 PCS



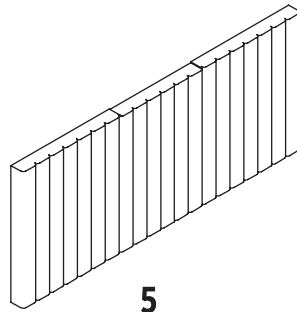
**2**  
2 PCS



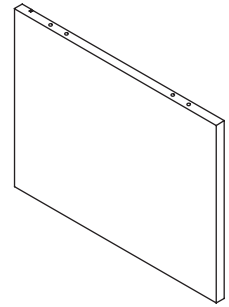
**3**  
2 PCS



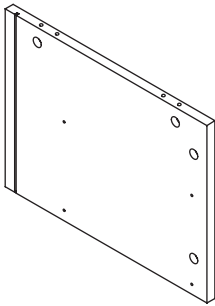
**4**  
2 PCS



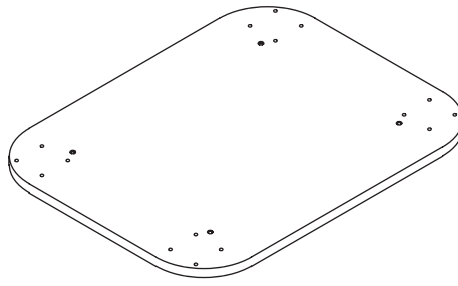
**5**  
2 PCS



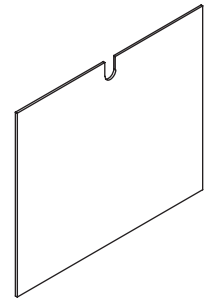
**6**  
1 PC



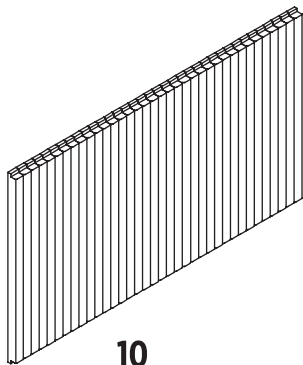
**7**  
1 PC



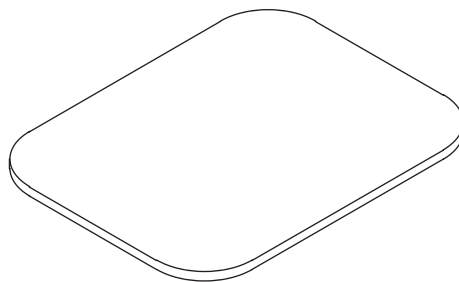
**8**  
1 PC



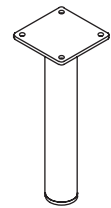
**9**  
1 PC



**10**  
2 PCS

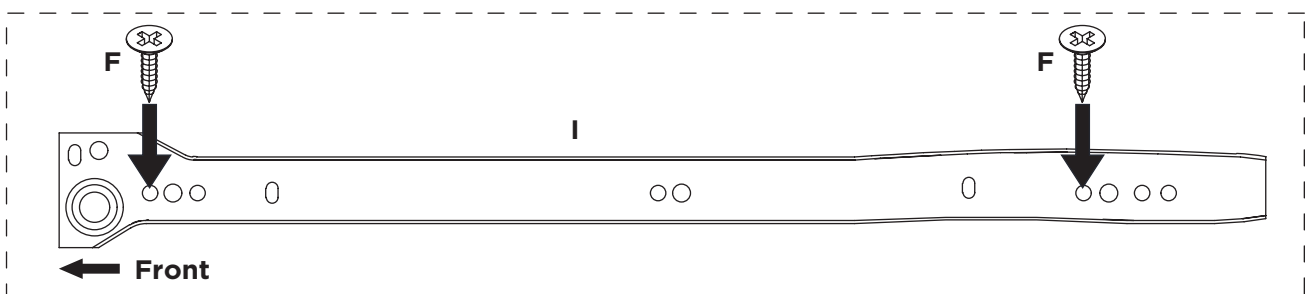
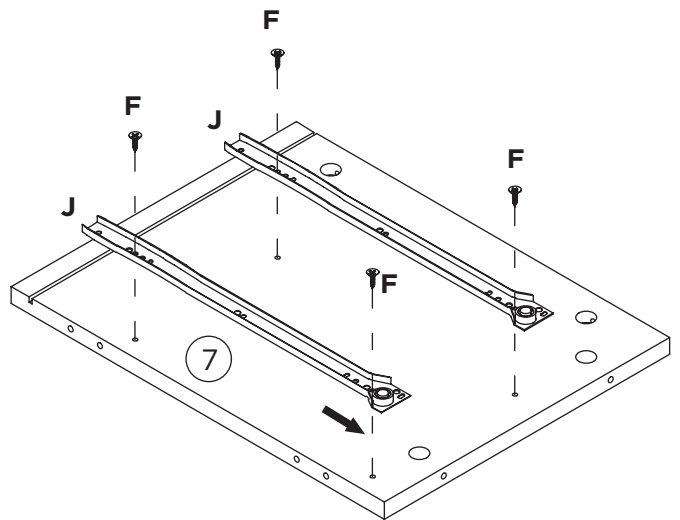
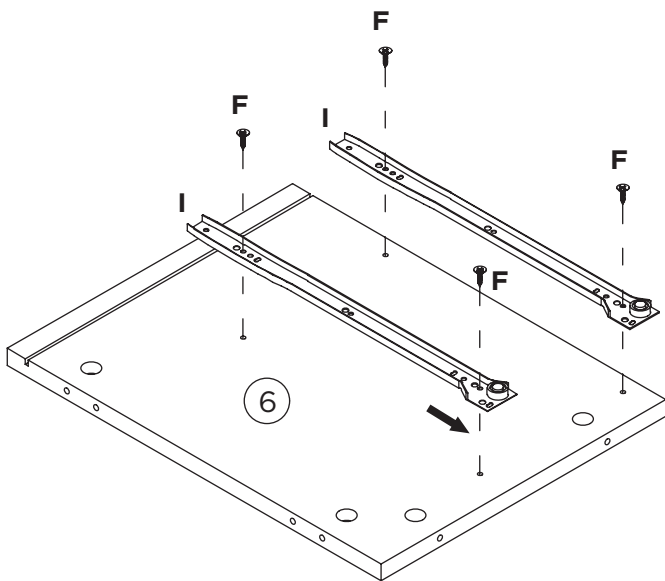
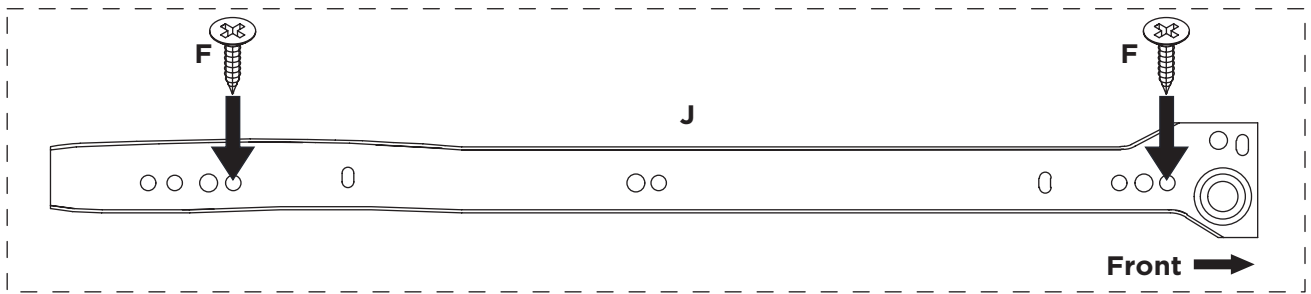
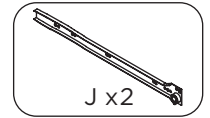
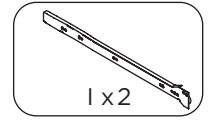
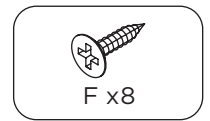


**11**  
1 PC

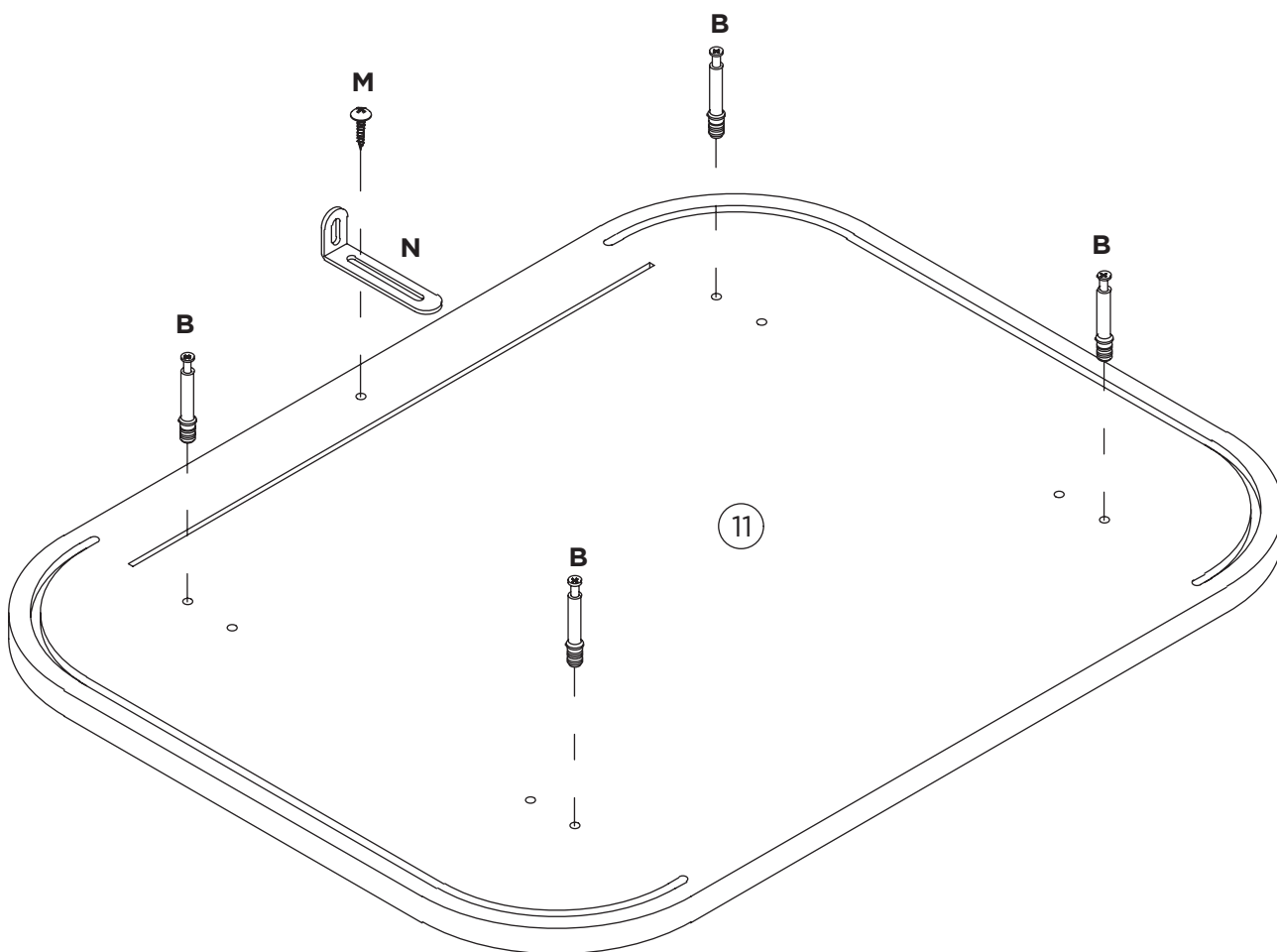
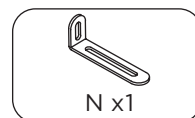
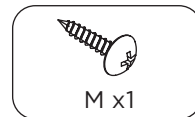
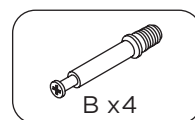


**12**  
4 PCS

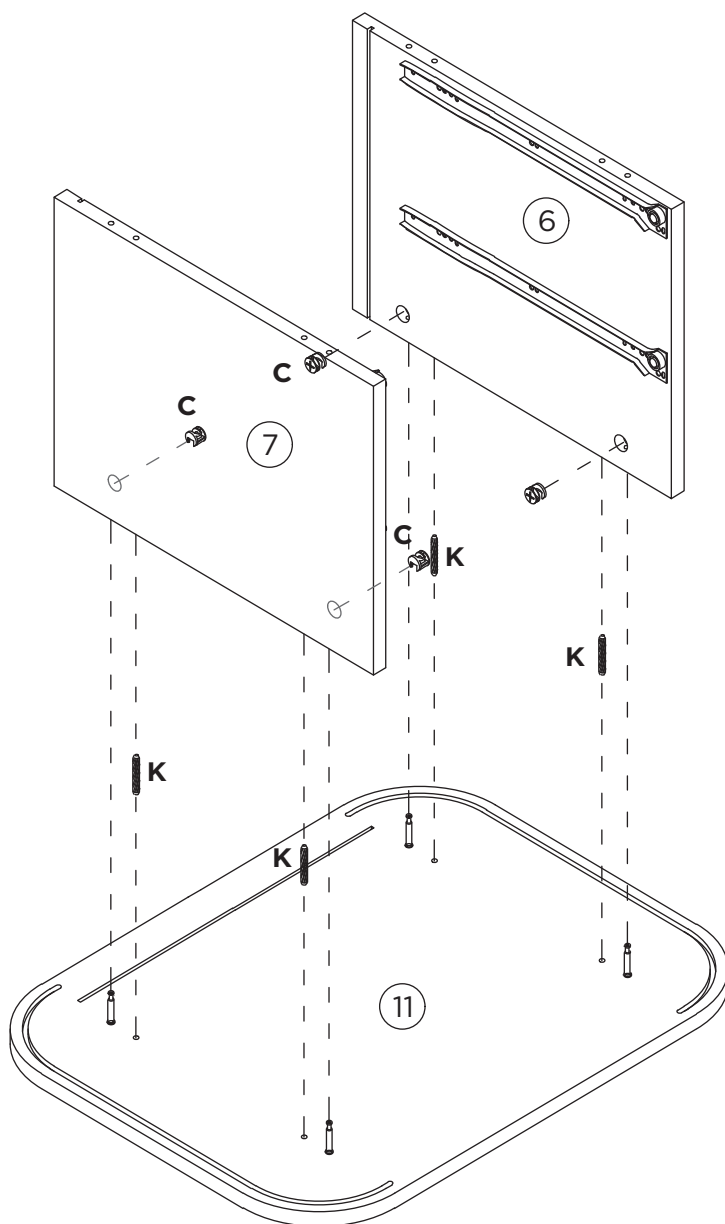
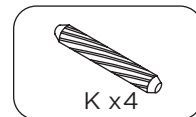
# STEP 1



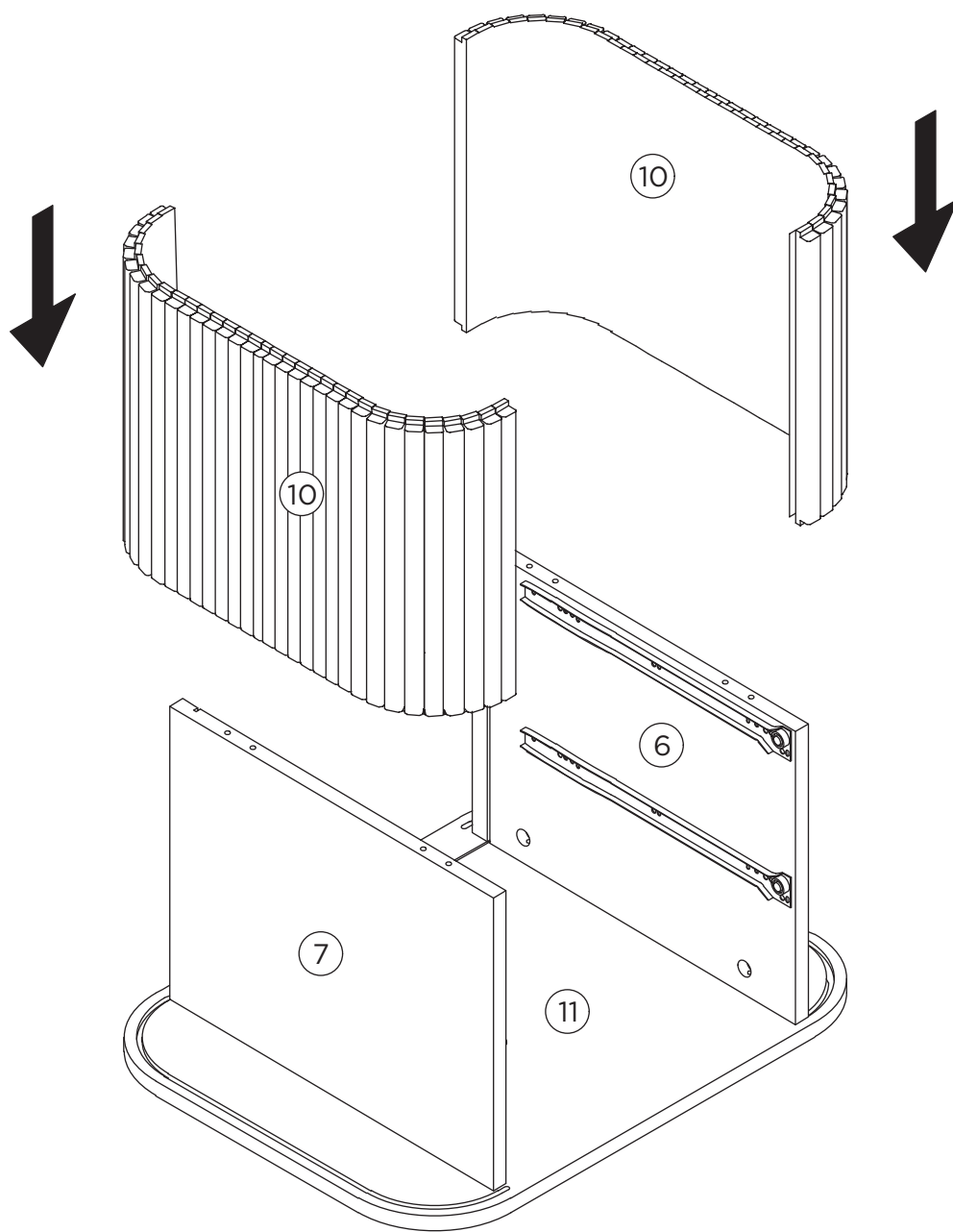
# STEP 2



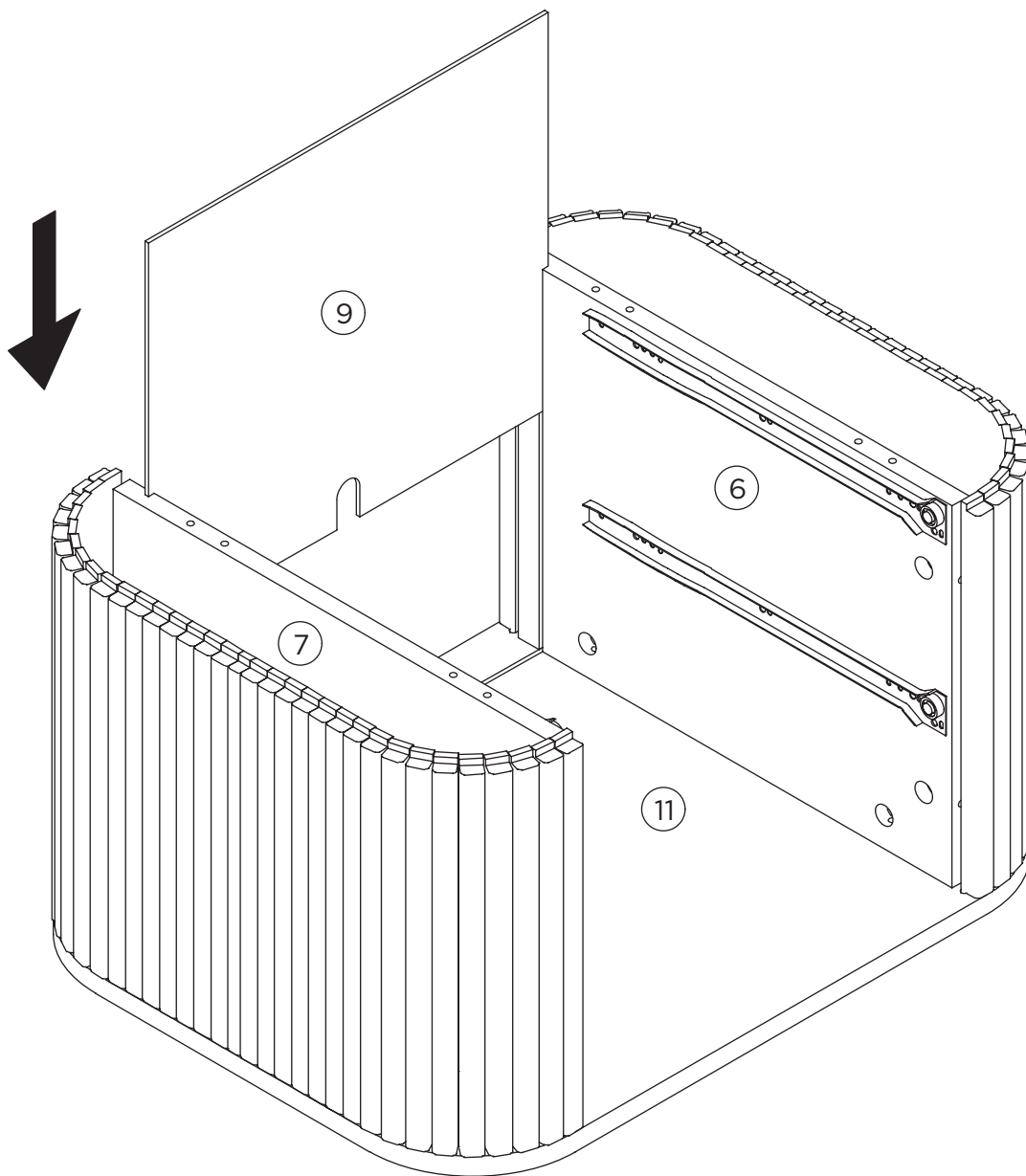
# STEP 3



# STEP 4

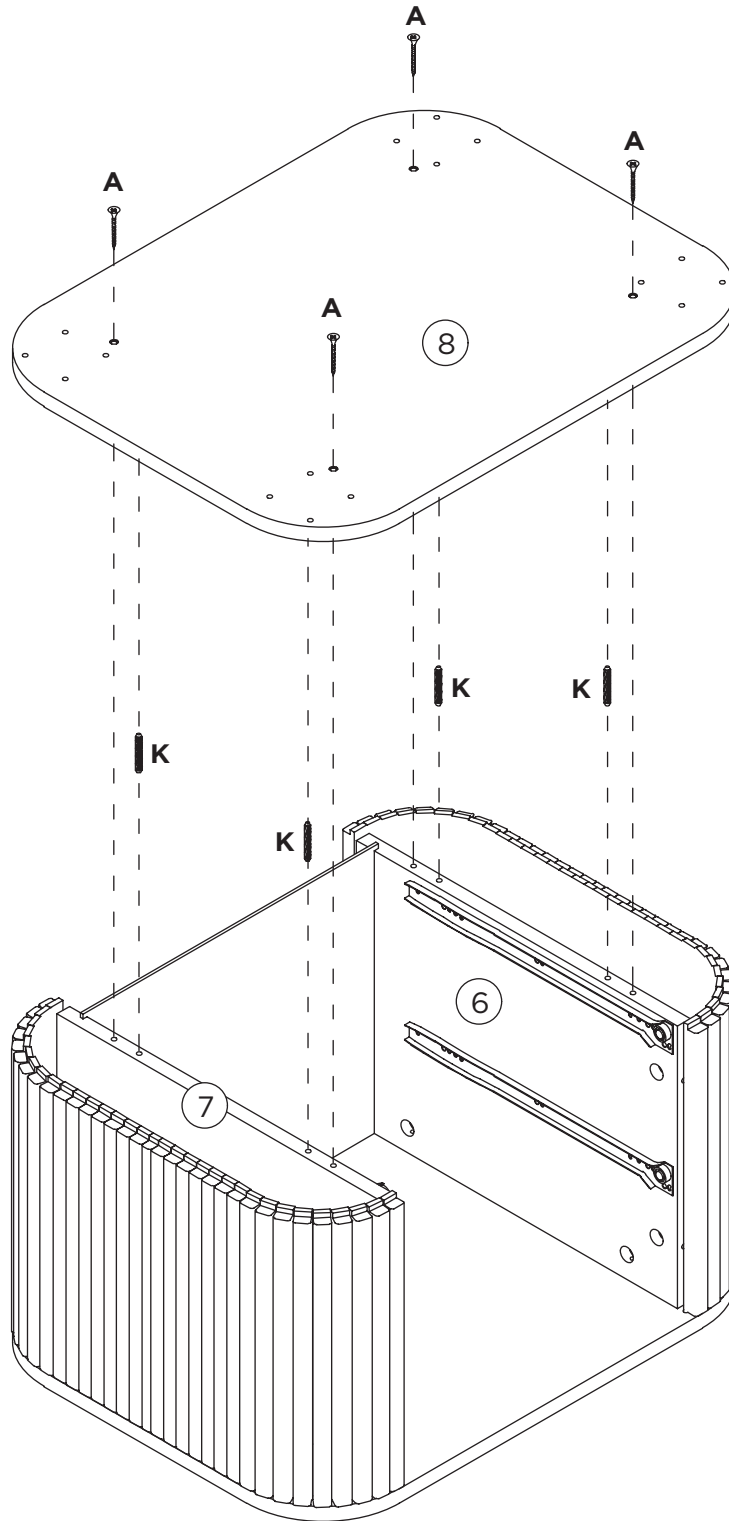
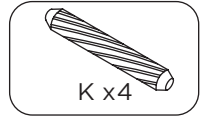
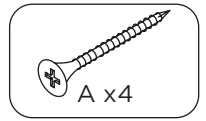


# STEP 5

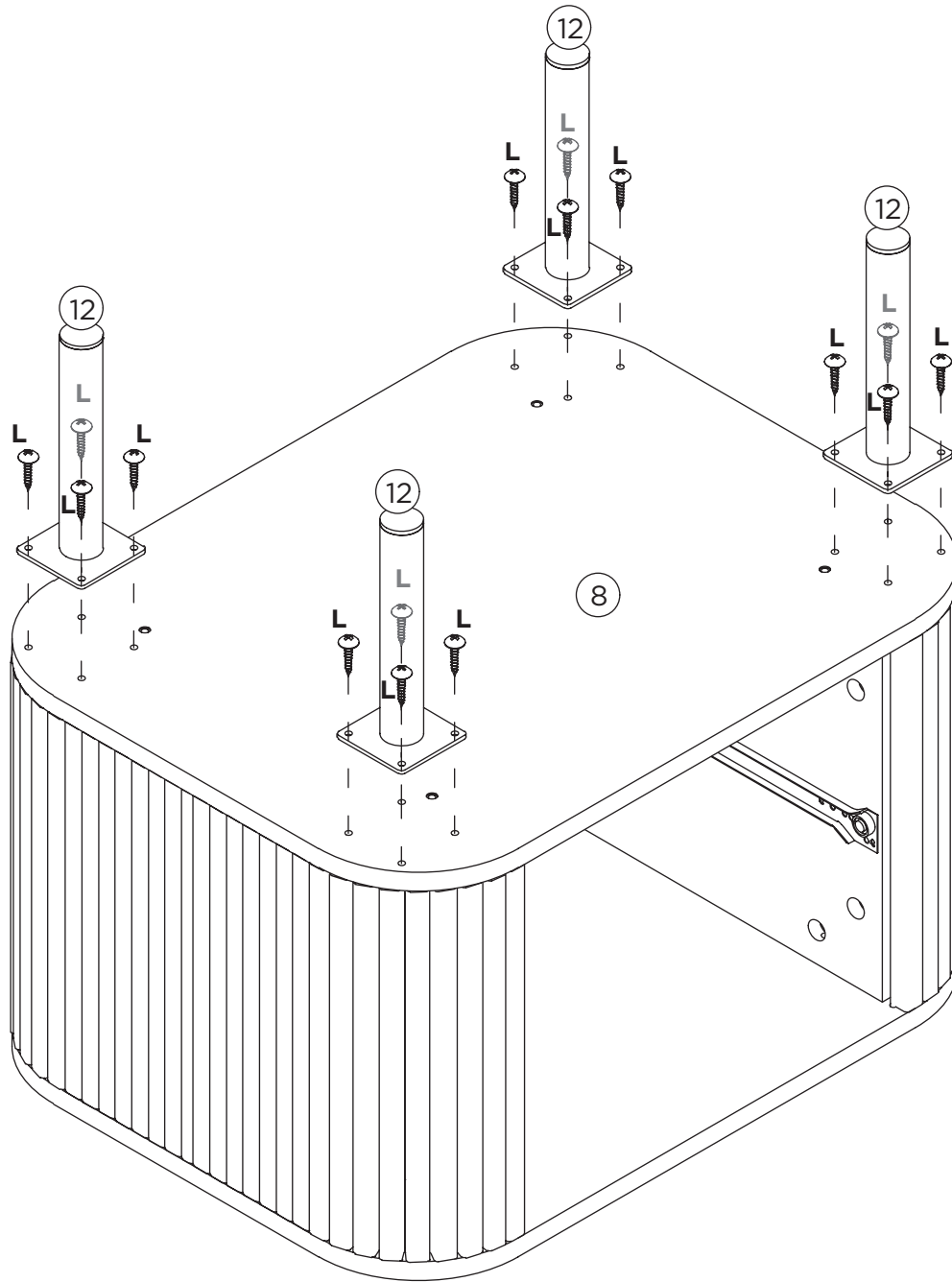
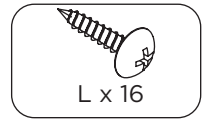




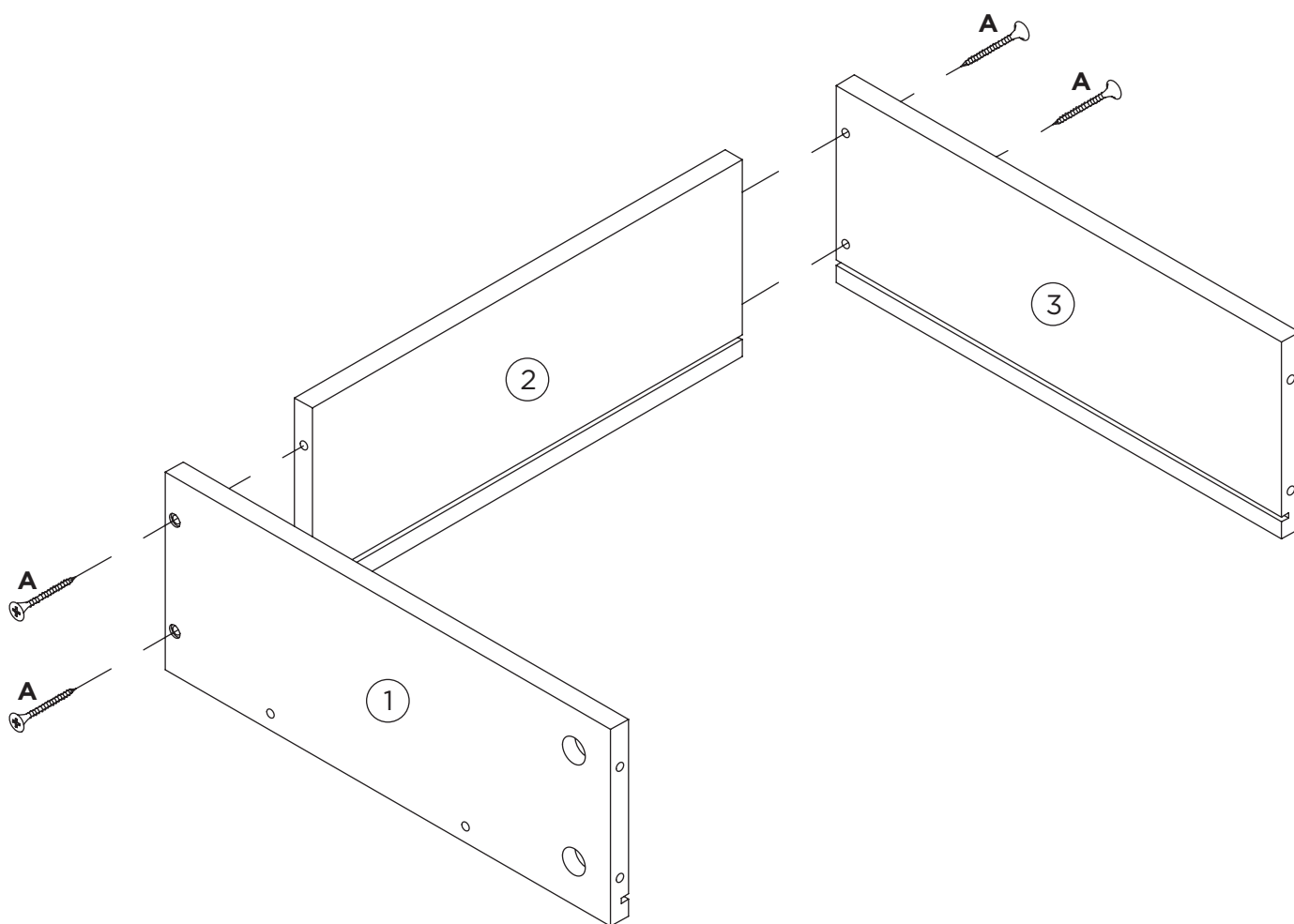
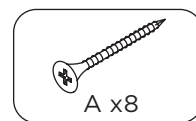
# STEP 6



# STEP 7

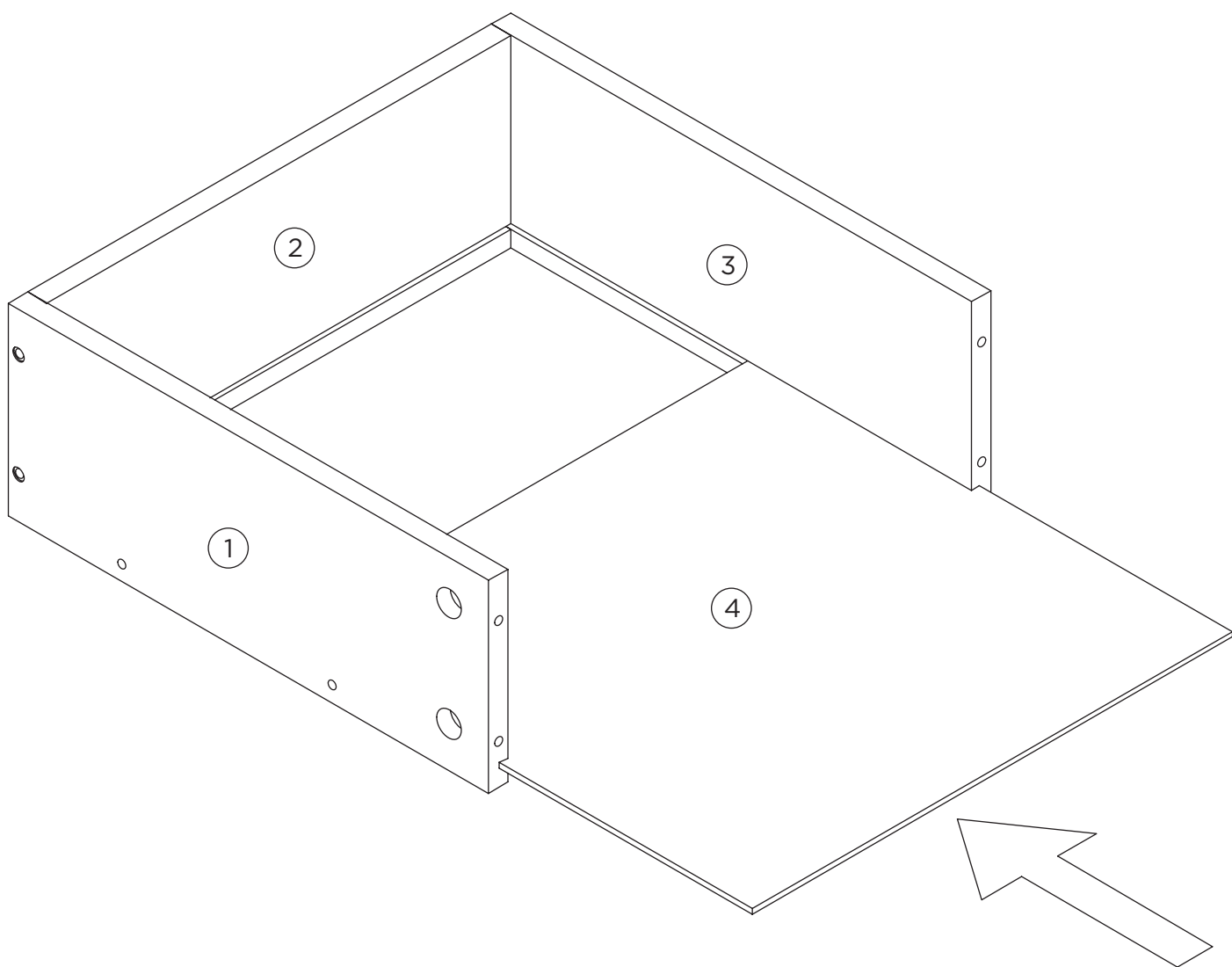


# STEP 8



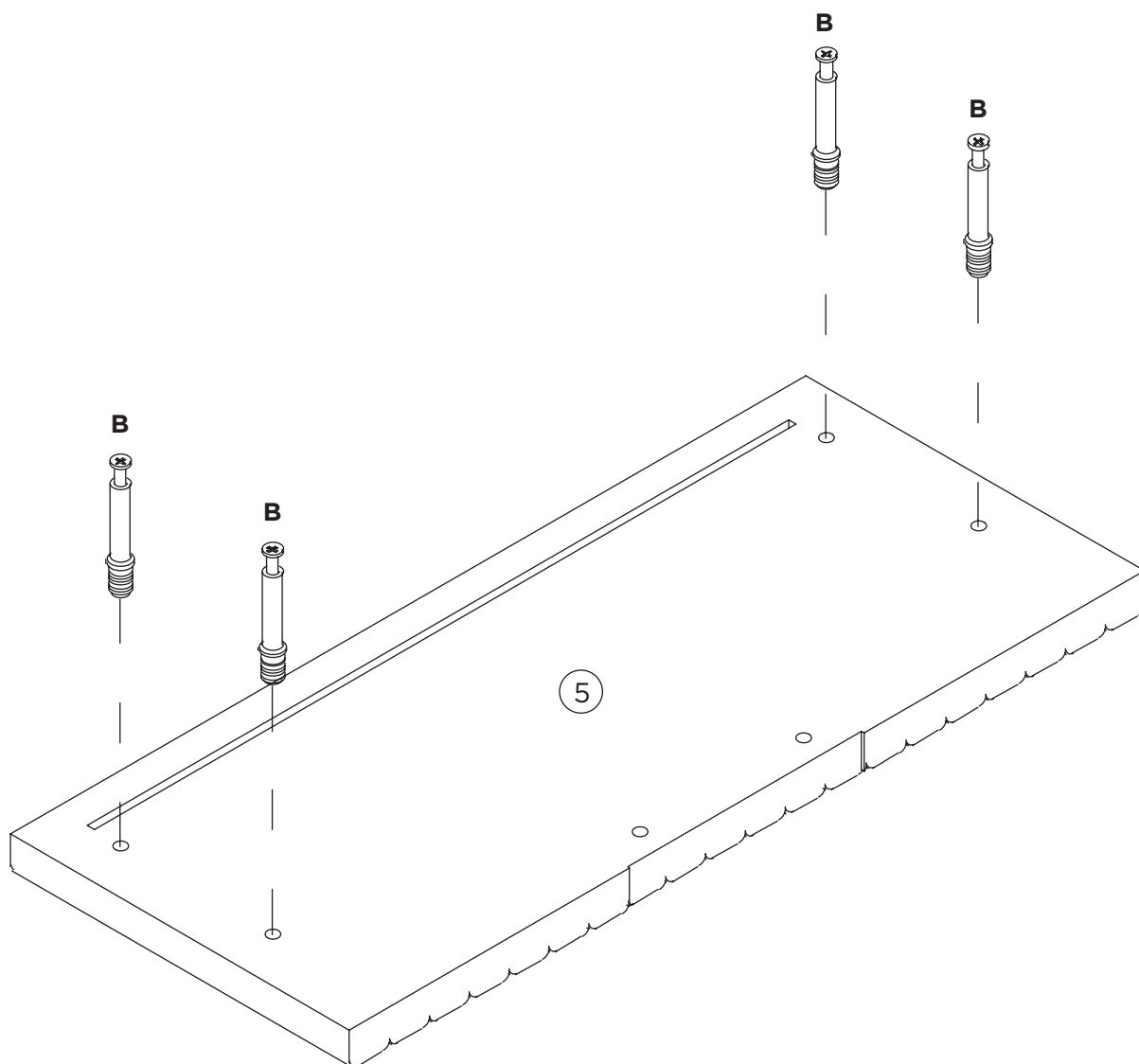
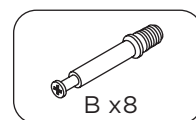
**x2**

# STEP 9



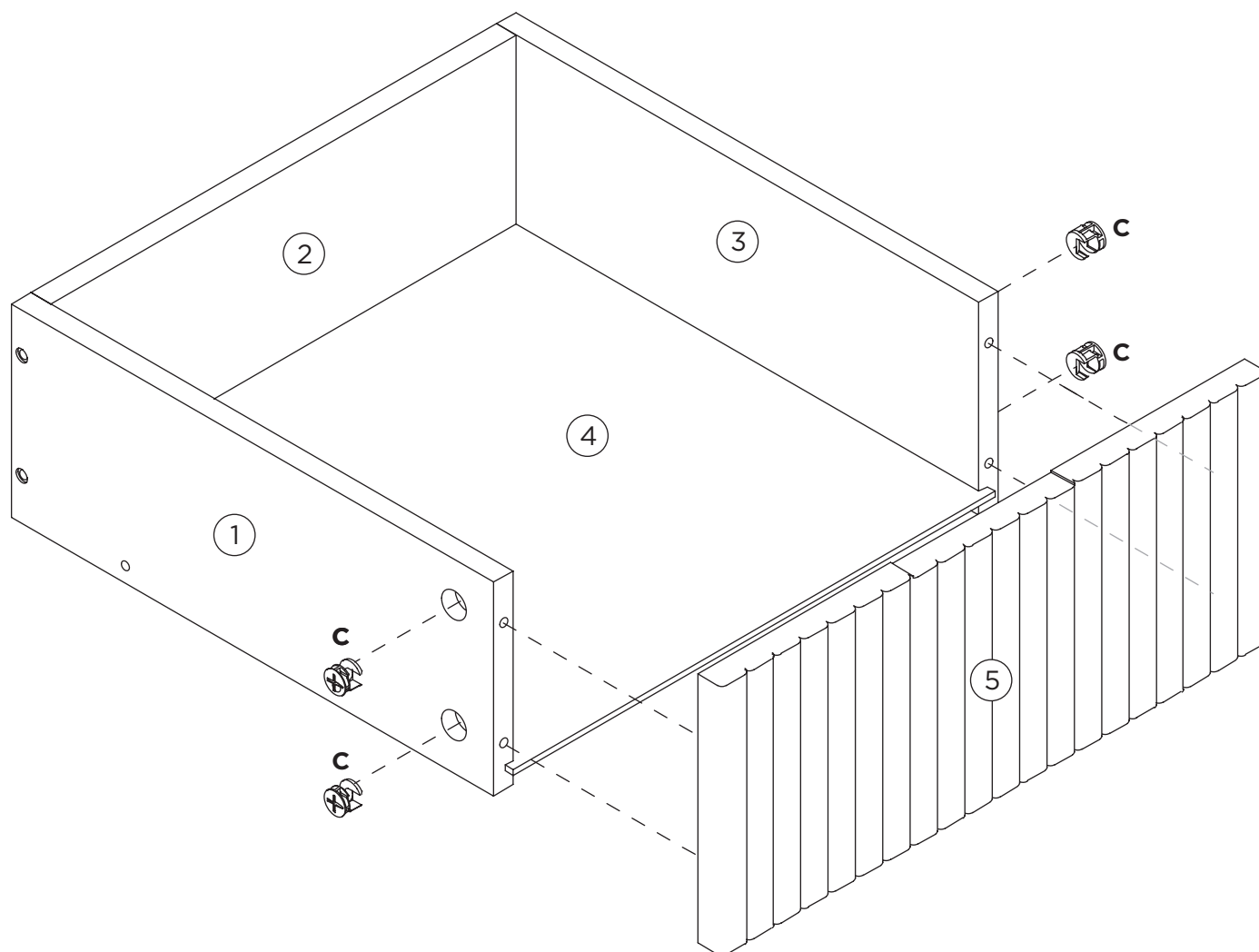
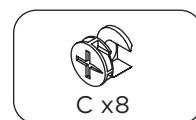
**x2**

# STEP 10



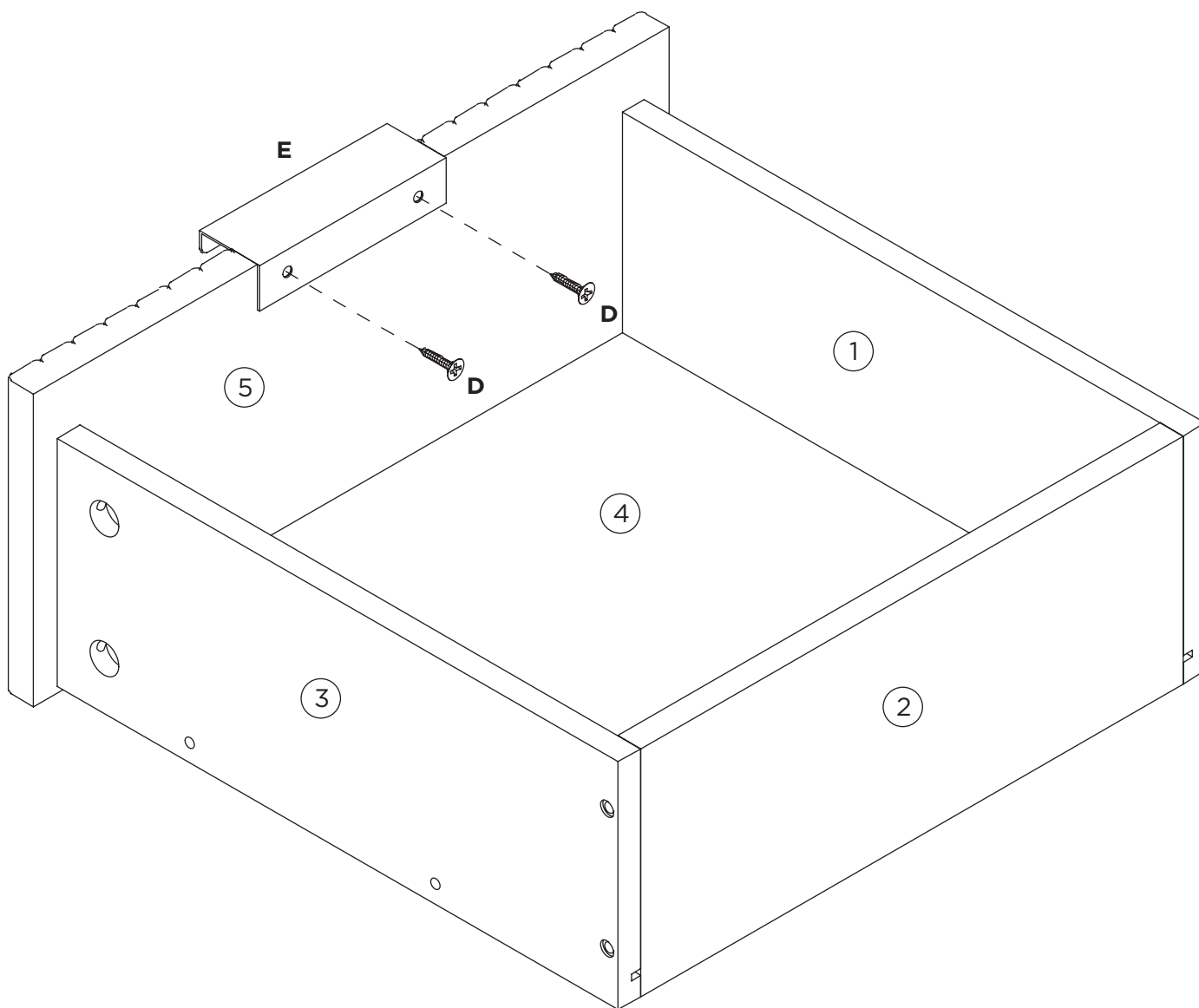
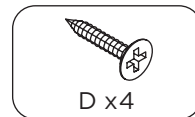
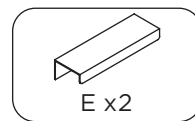
**x2**

# STEP 11



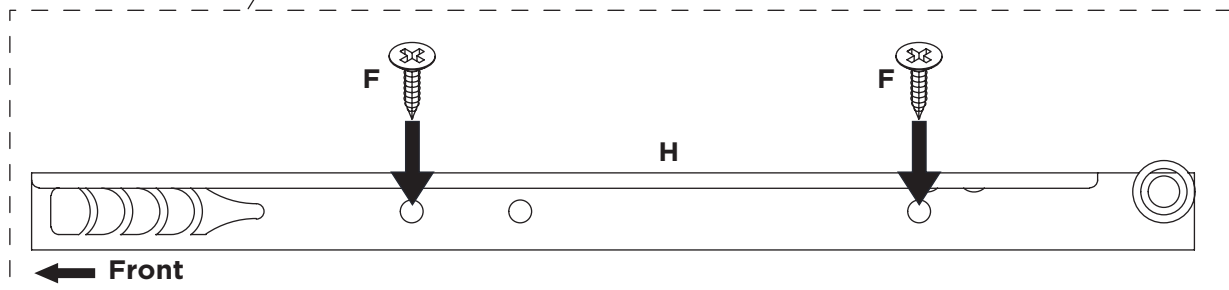
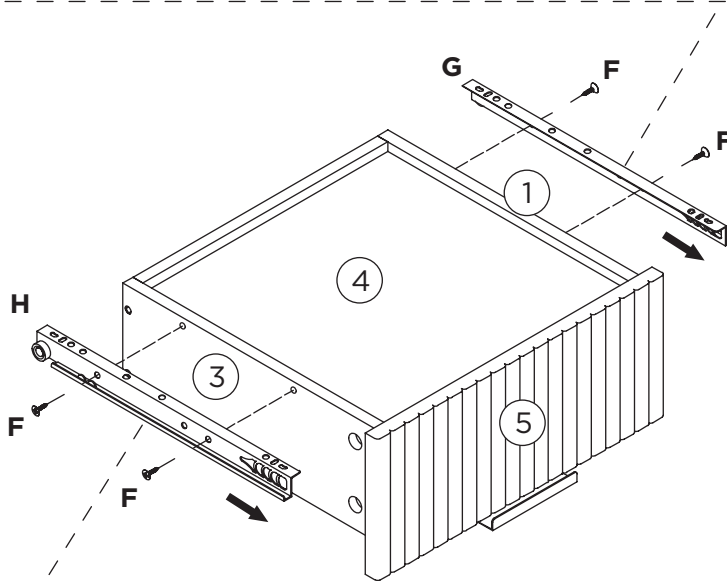
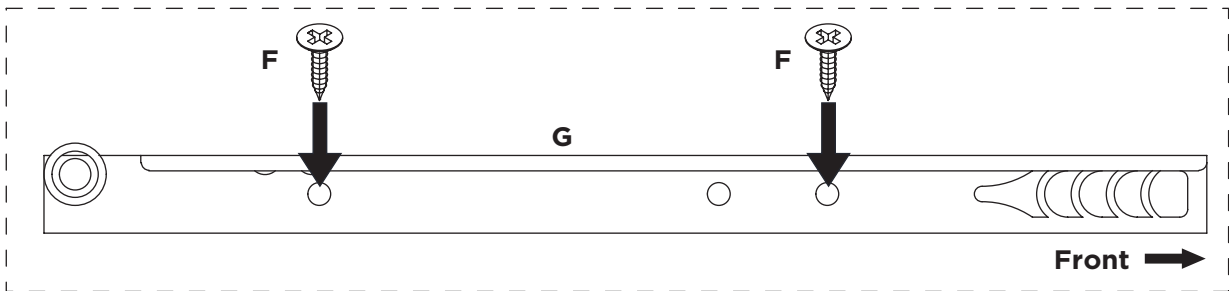
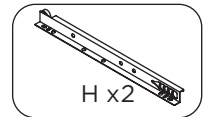
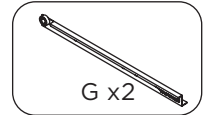
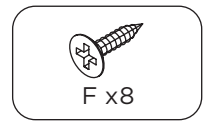
# x2

# STEP 12



# x2

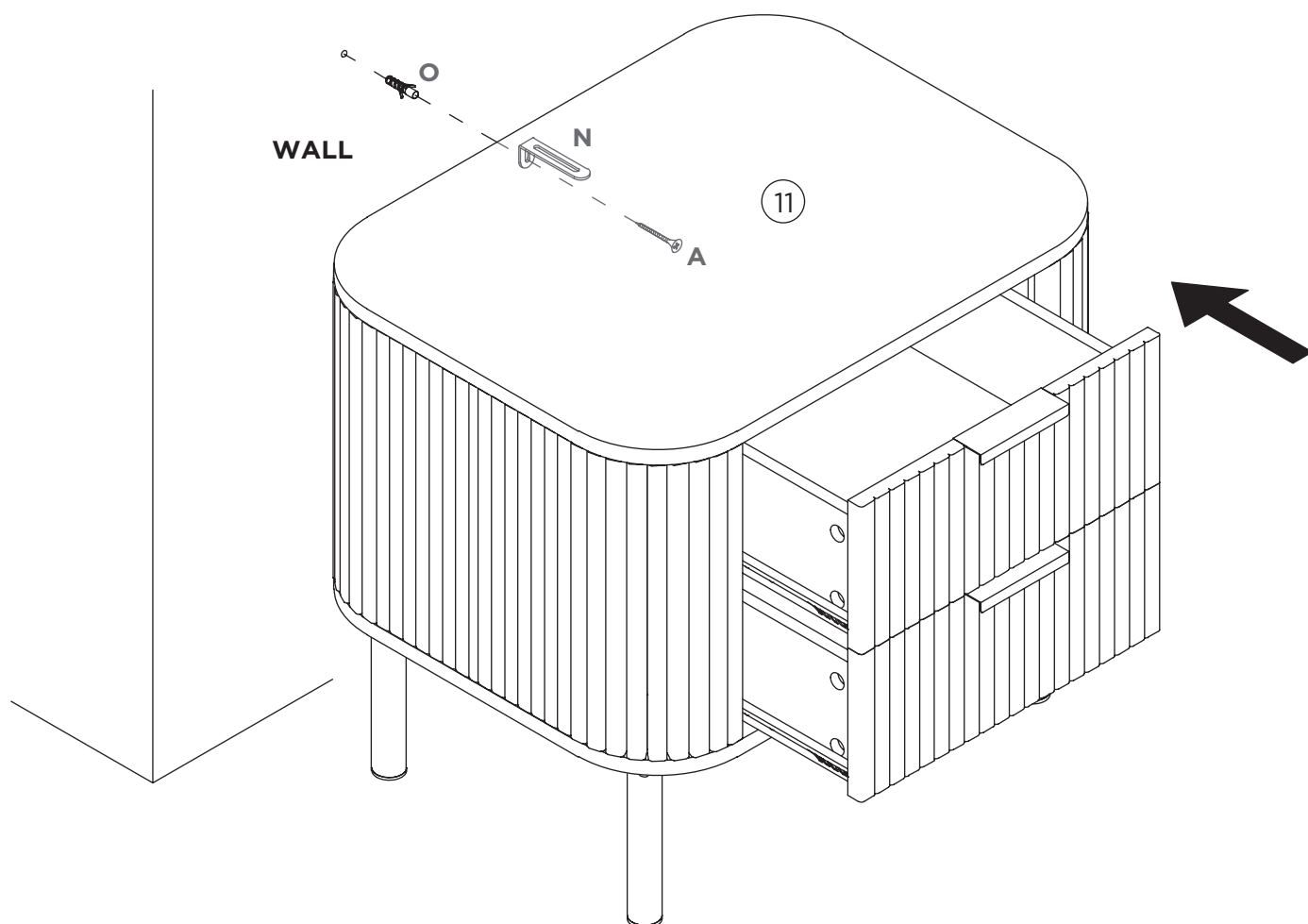
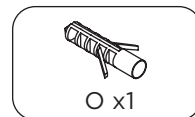
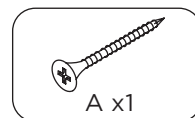
# STEP 13



# x2



# STEP 14



# STEP 15

