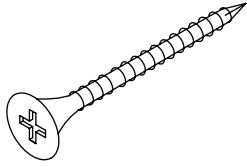
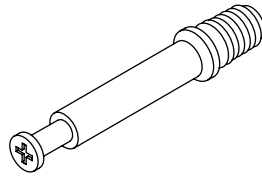


# HARDWARE LIST

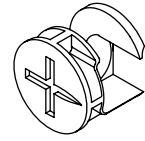
---



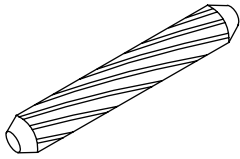
32 x A  
Screw



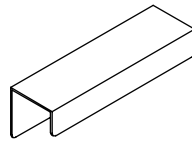
36 x B  
Quickfit Screw



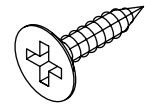
36 x C  
Cam Lock



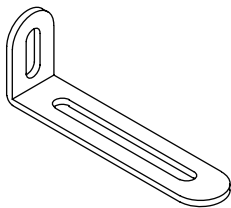
18 x D  
Wooden Dowel



4 x E  
Handle



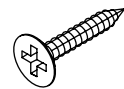
40 x F  
Screw



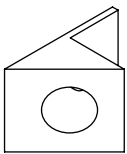
2 x G  
Wall Bracket



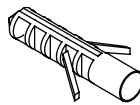
18 x H  
Screw



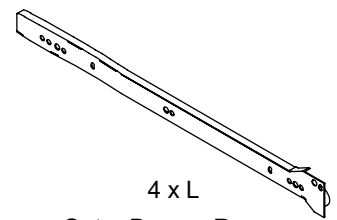
8 x I  
Screw



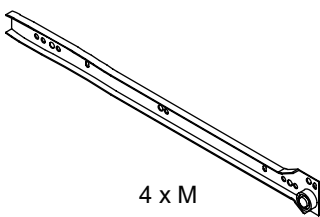
8 x J  
Wedge



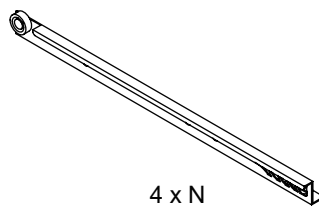
2 x K  
Wall Plug



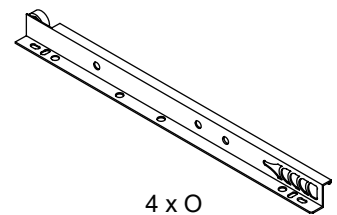
4 x L  
Outer Drawer Runner



4 x M  
Outer Drawer Runner



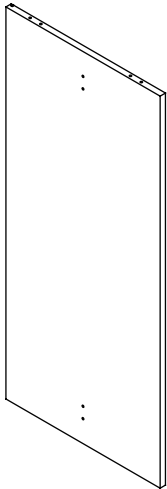
4 x N  
Inner Drawer Runner



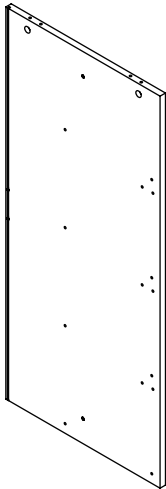
4 x O  
Inner Drawer Runner

# PARTS LIST

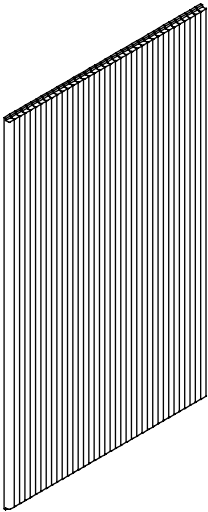
---



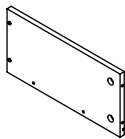
1  
1 PC



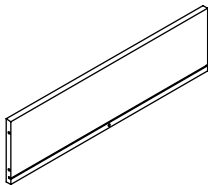
2  
1 PC



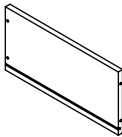
3  
2 PCS



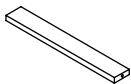
4  
4 PCS



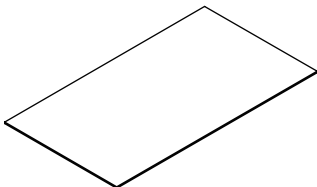
5  
4 PCS



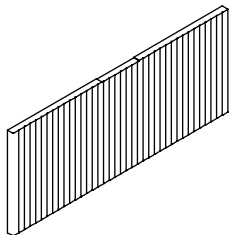
6  
4 PCS



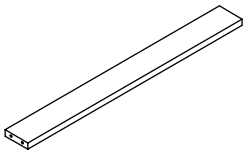
7  
4 PCS



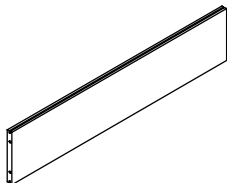
8  
4 PCS



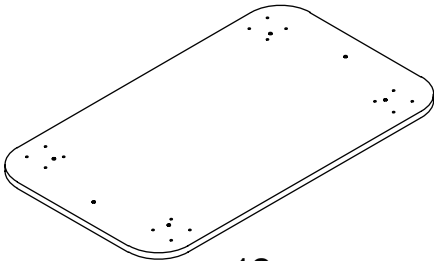
9  
4 PCS



10  
3 PCS



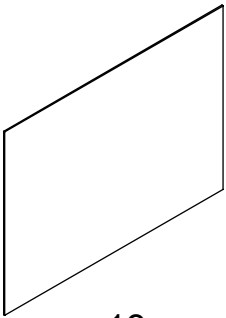
11  
1 PC



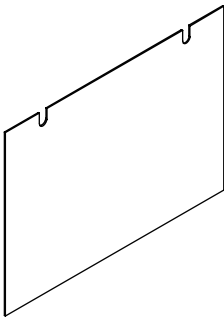
12  
1 PC

# PARTS LIST

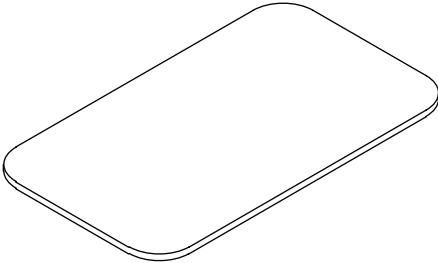
---



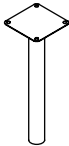
13  
1 PC



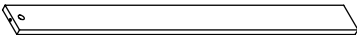
14  
1 PC



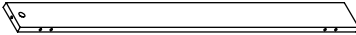
15  
1 PC



16  
4 PCS

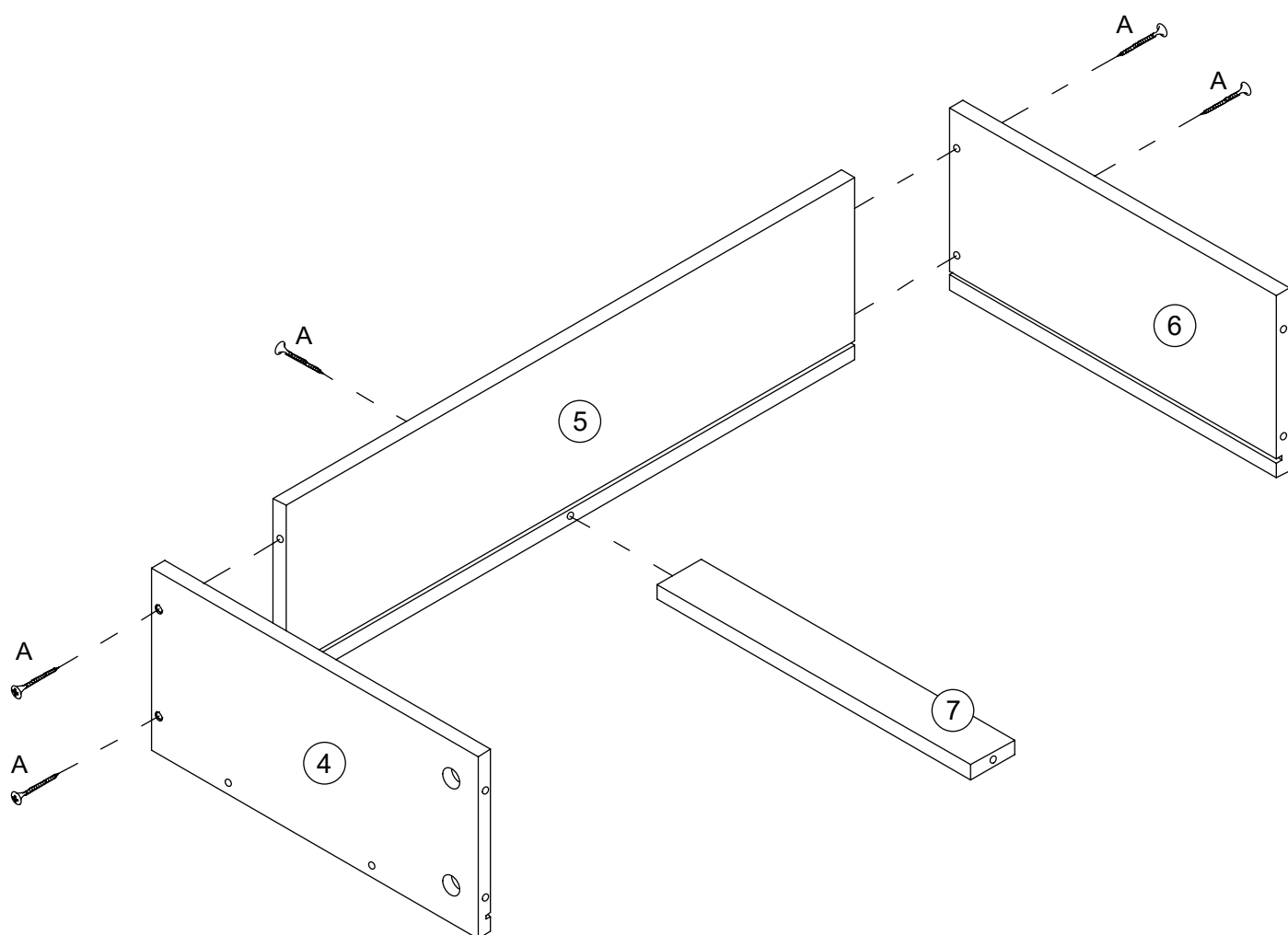
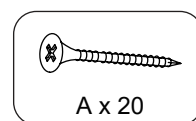


17  
1 PC



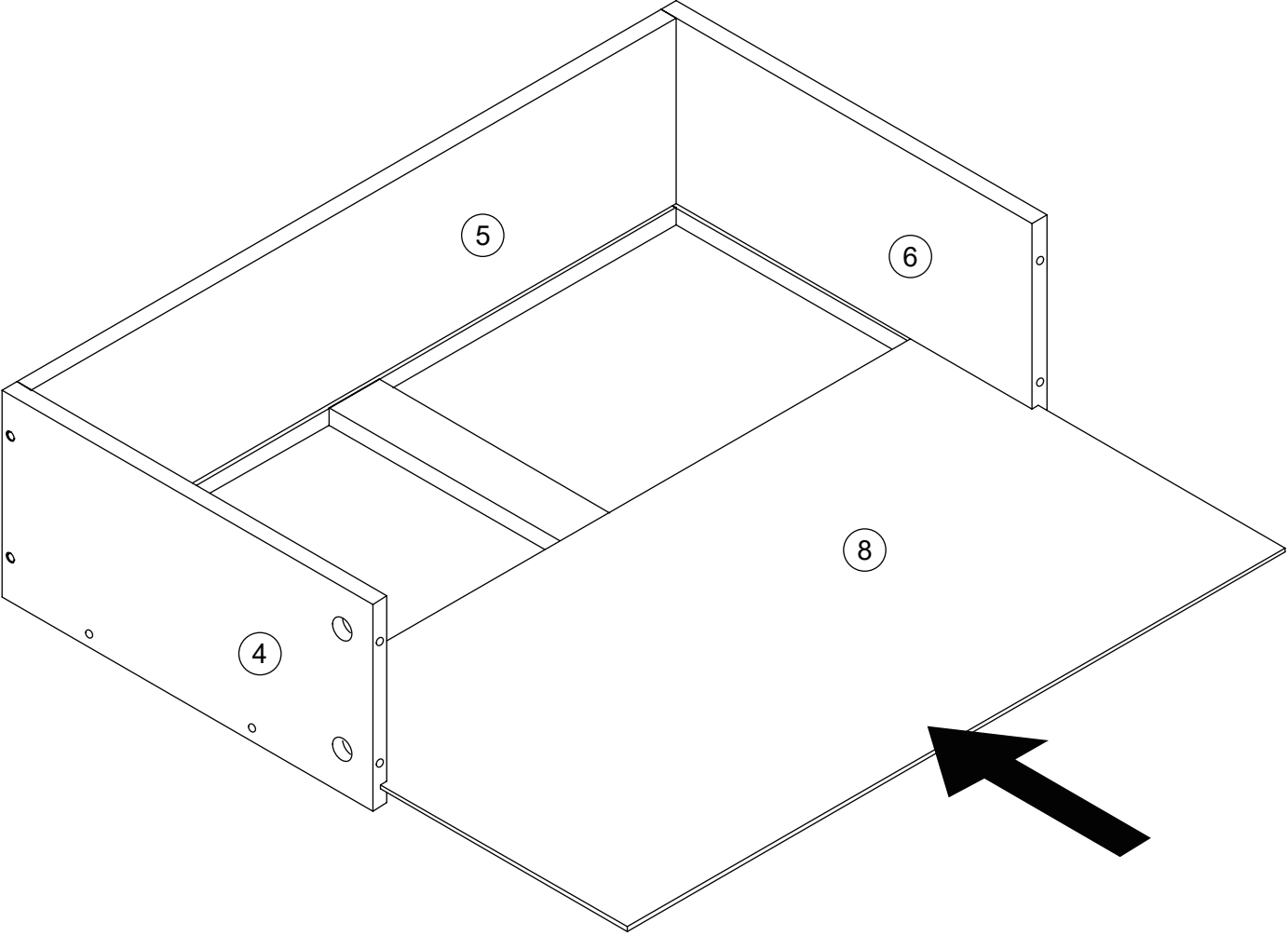
18  
1 PC

# STEP 1



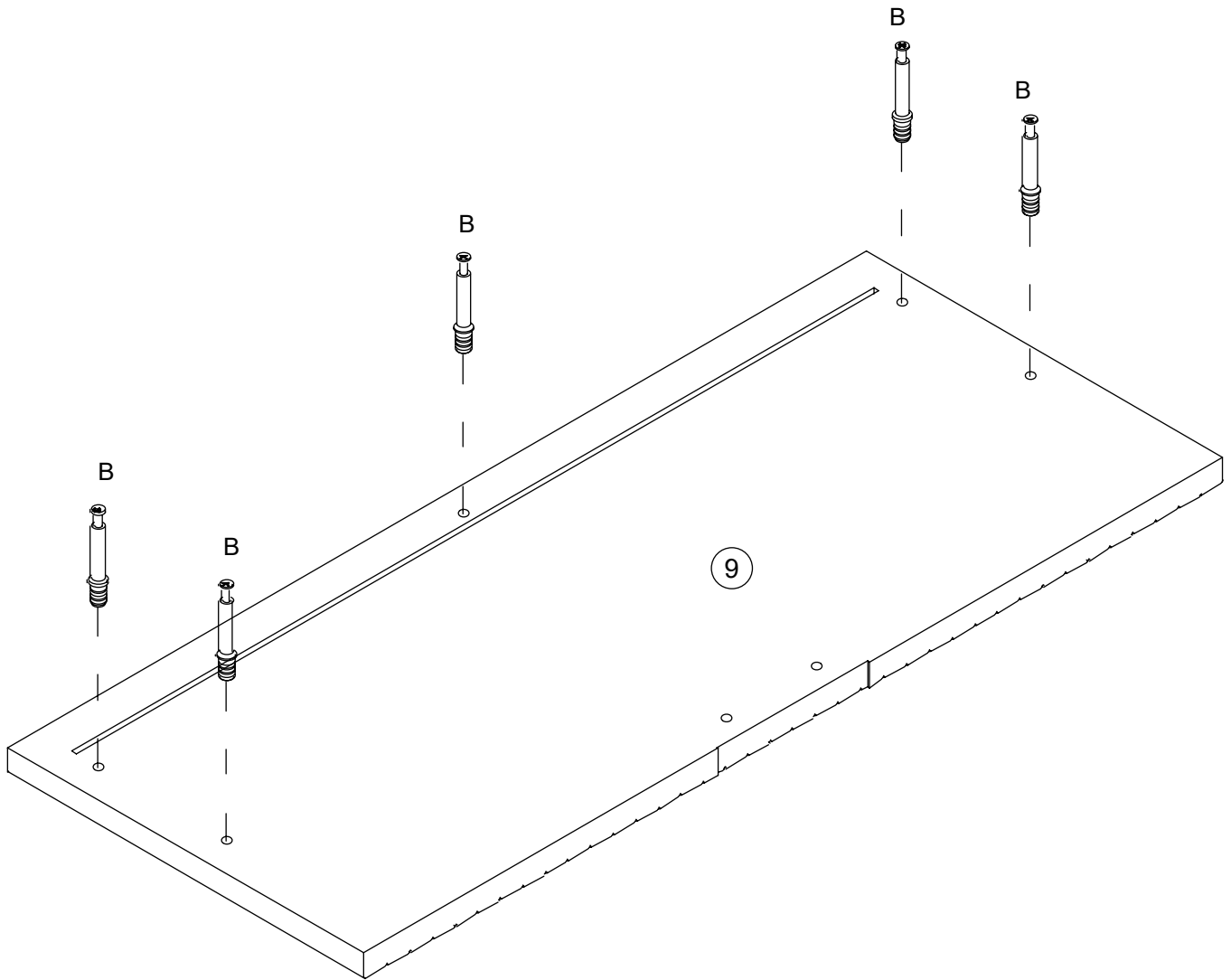
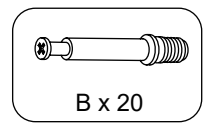
**x4**

STEP 2



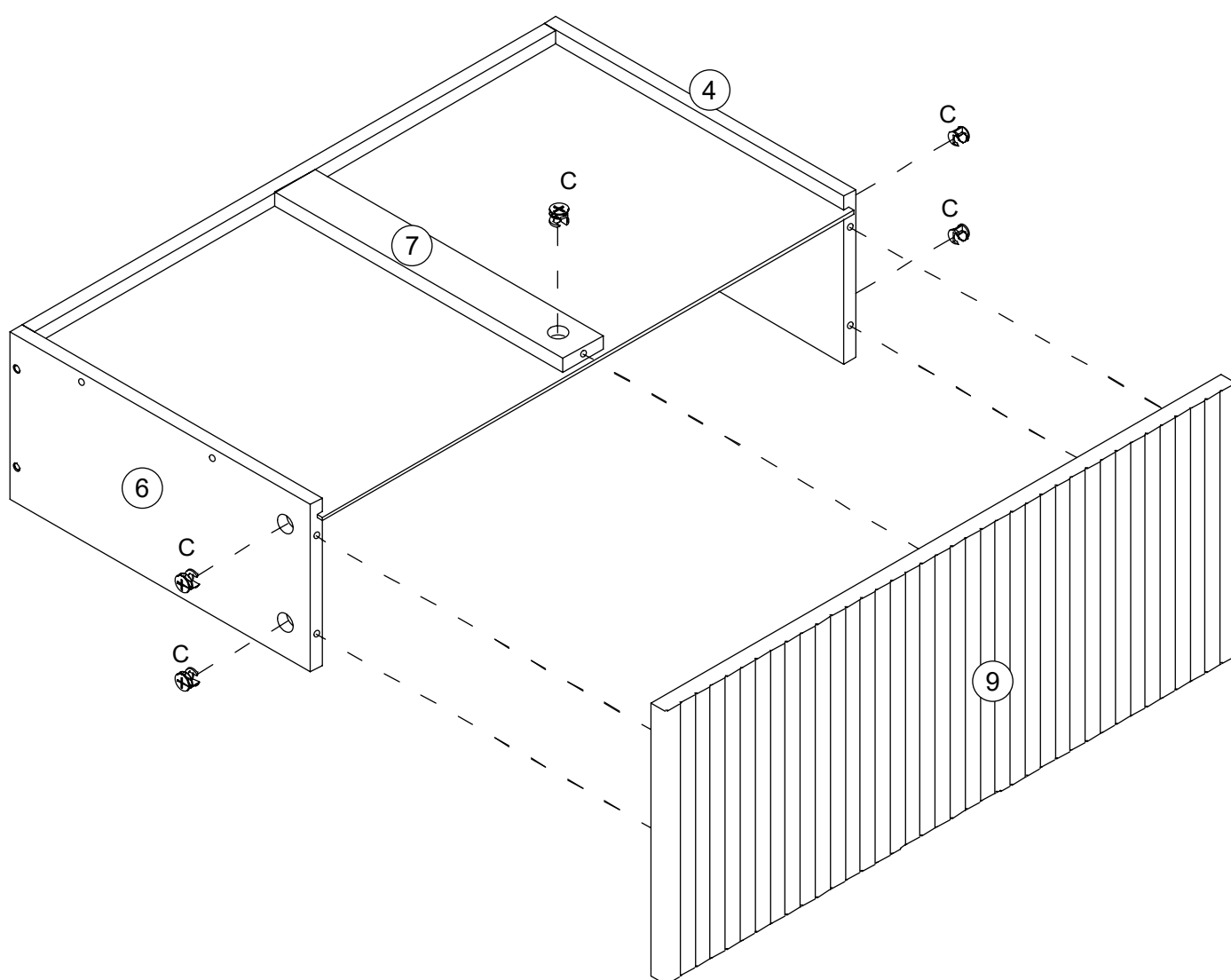
x4

# STEP 3



x4

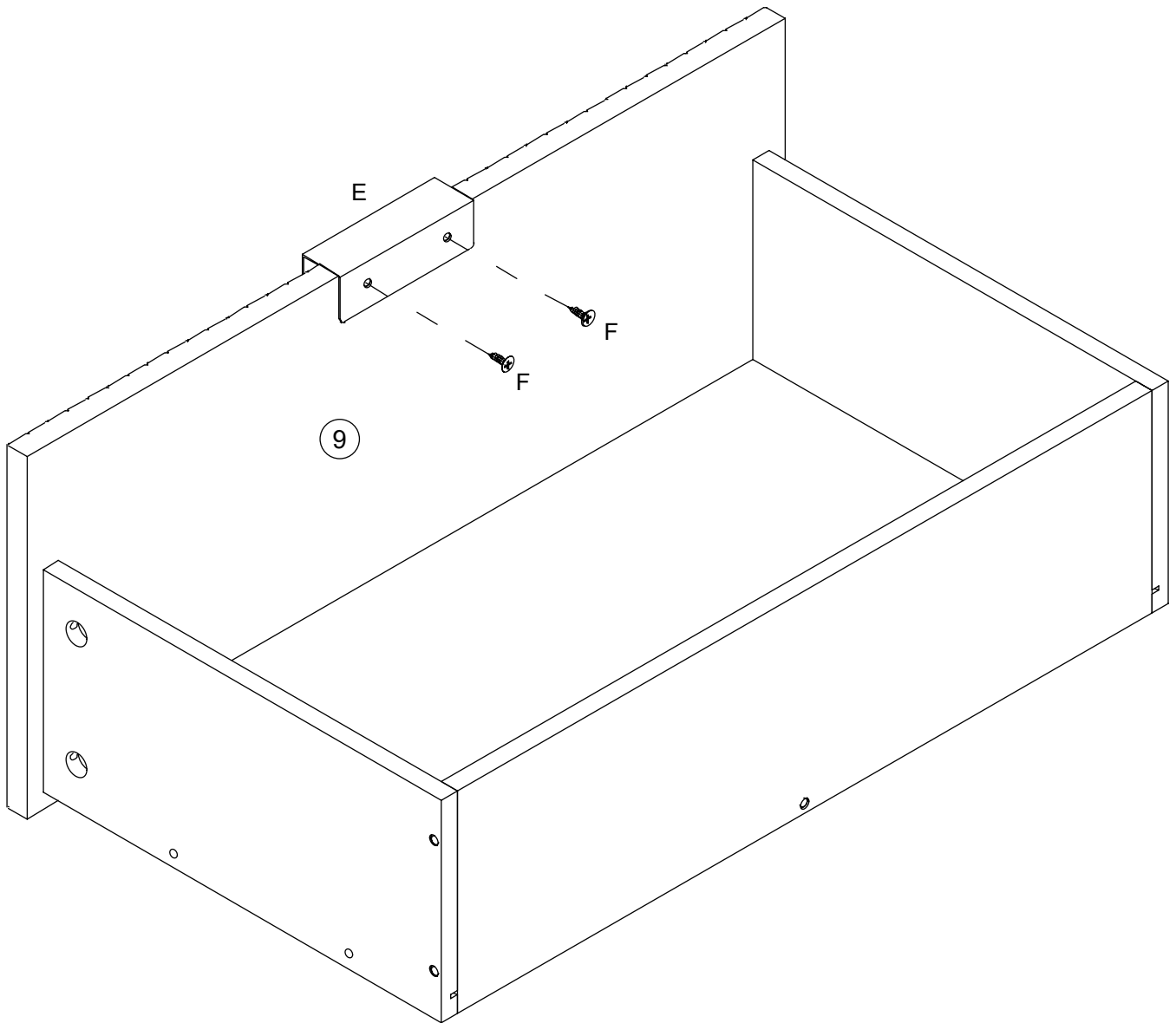
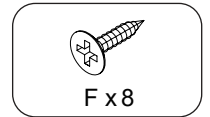
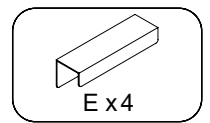
# STEP 4



x4

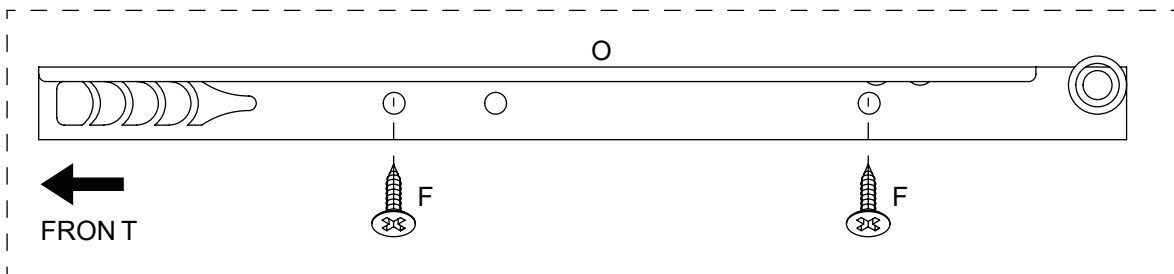
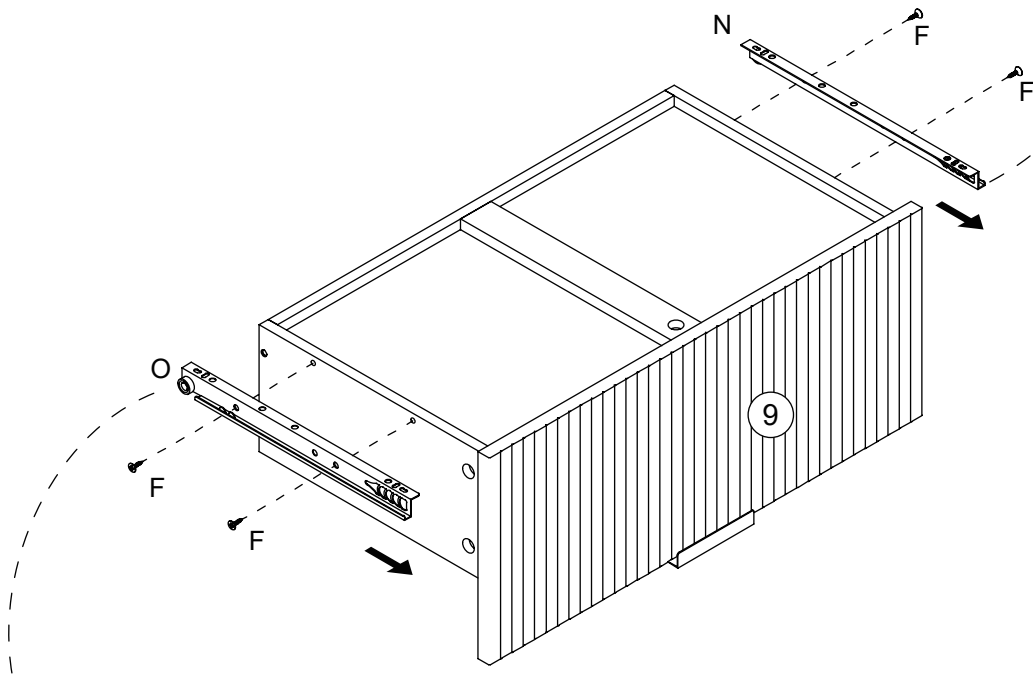
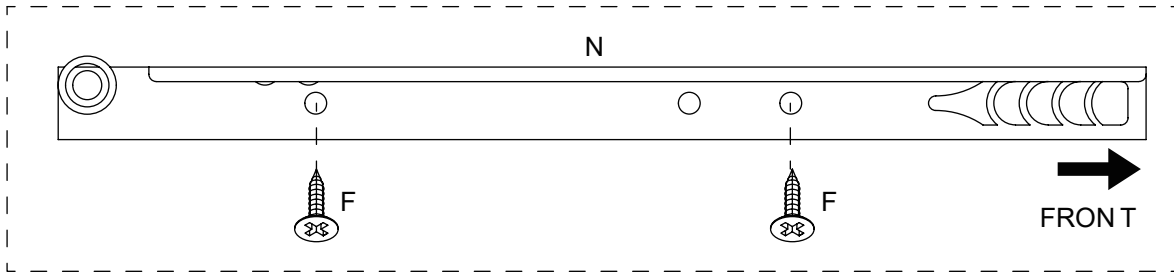
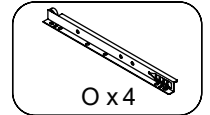
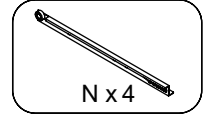
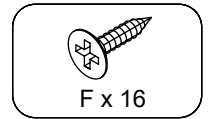


# STEP 5



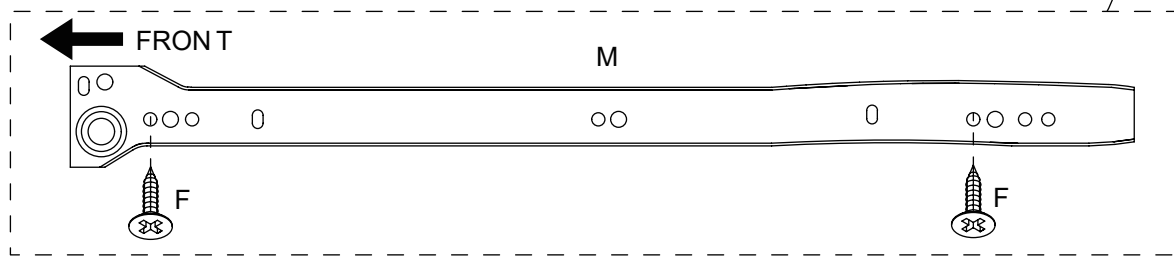
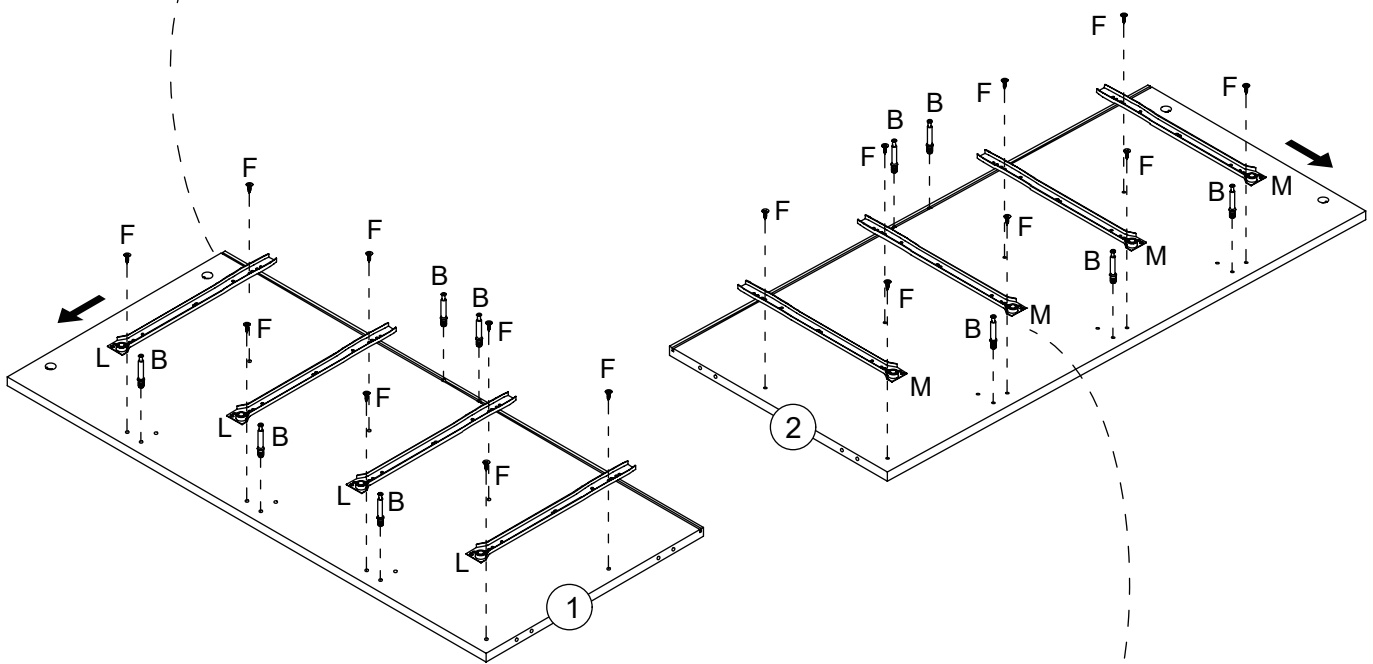
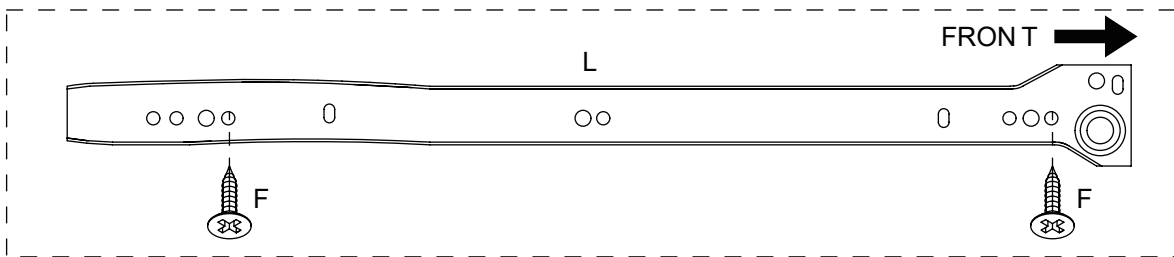
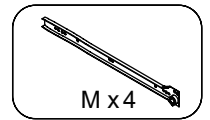
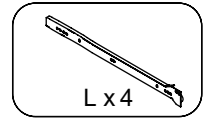
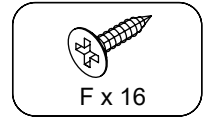
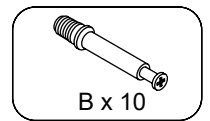
x4

# STEP 6

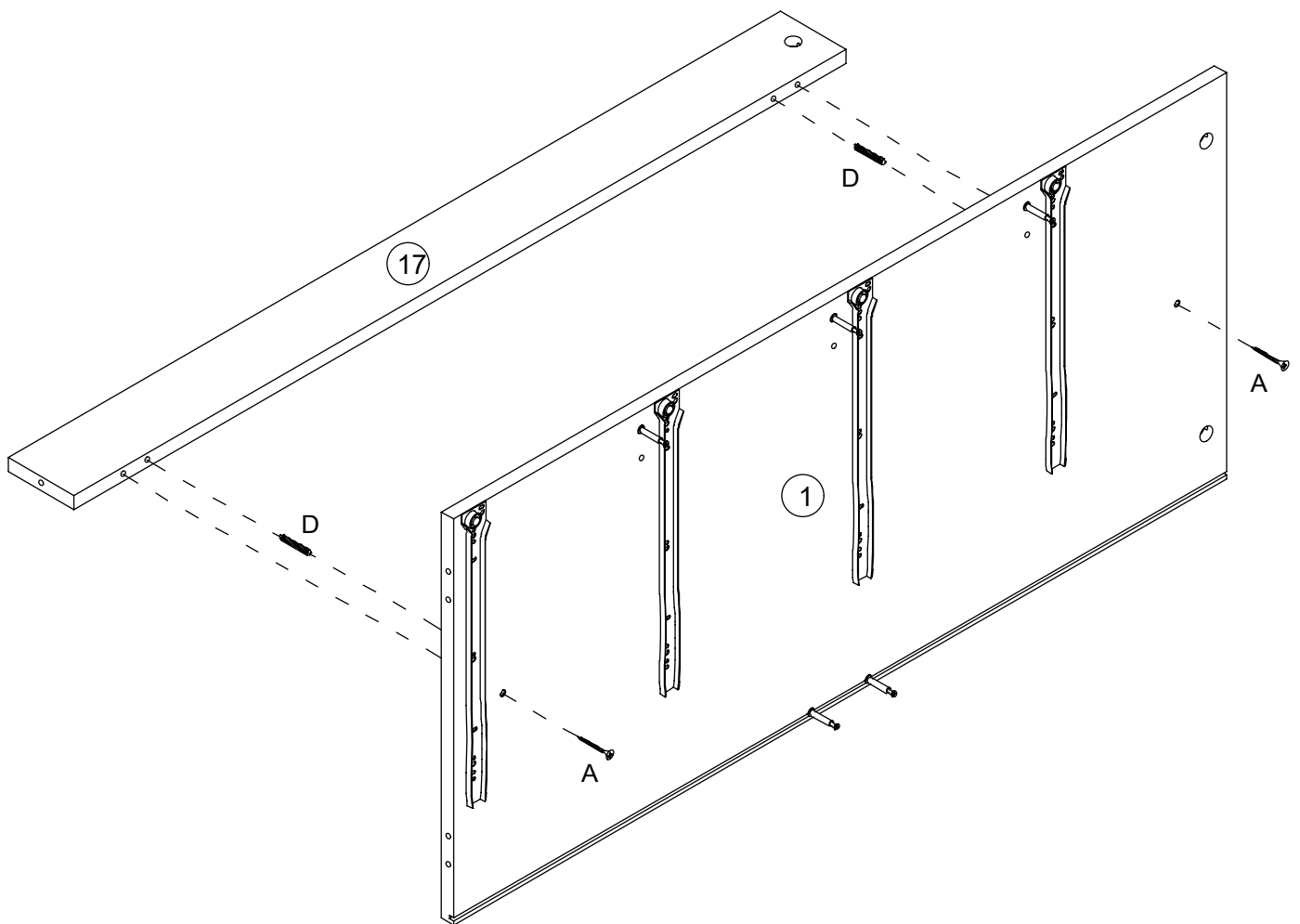
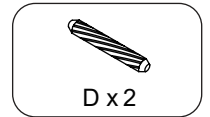
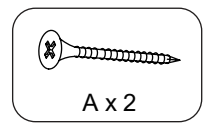


x4

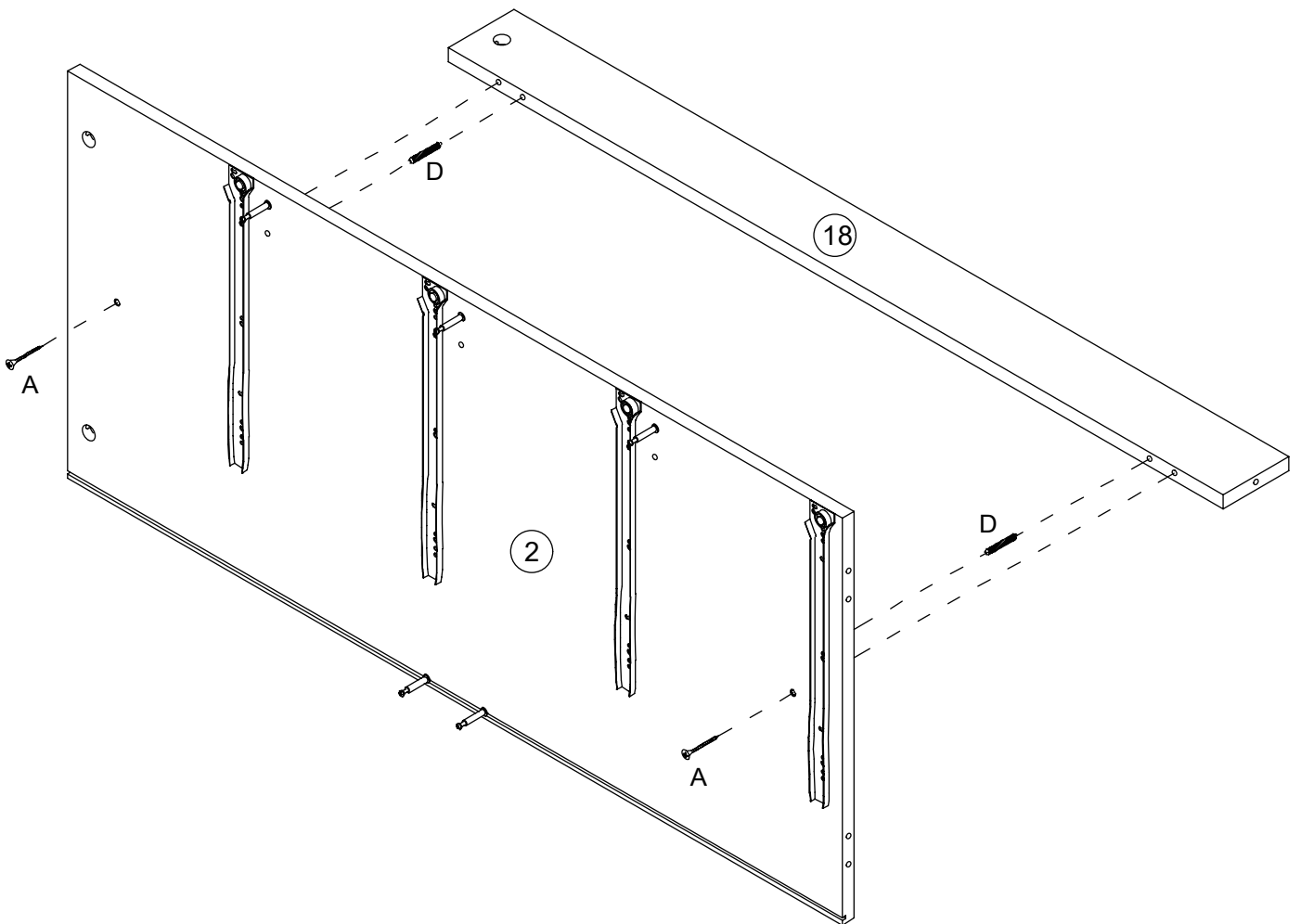
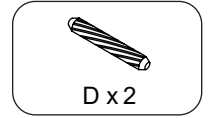
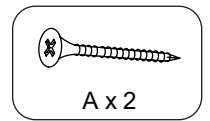
# STEP 7



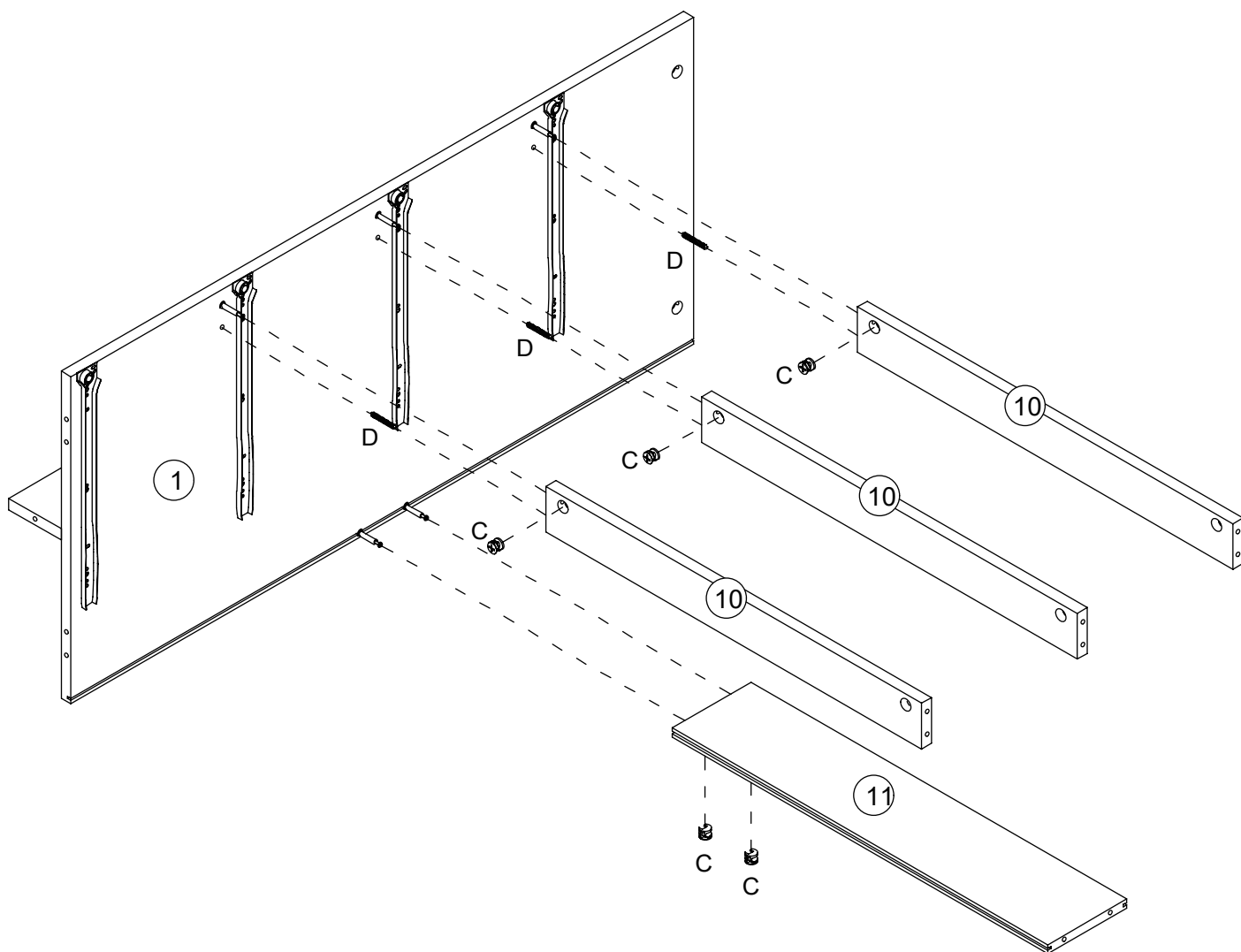
# STEP 8



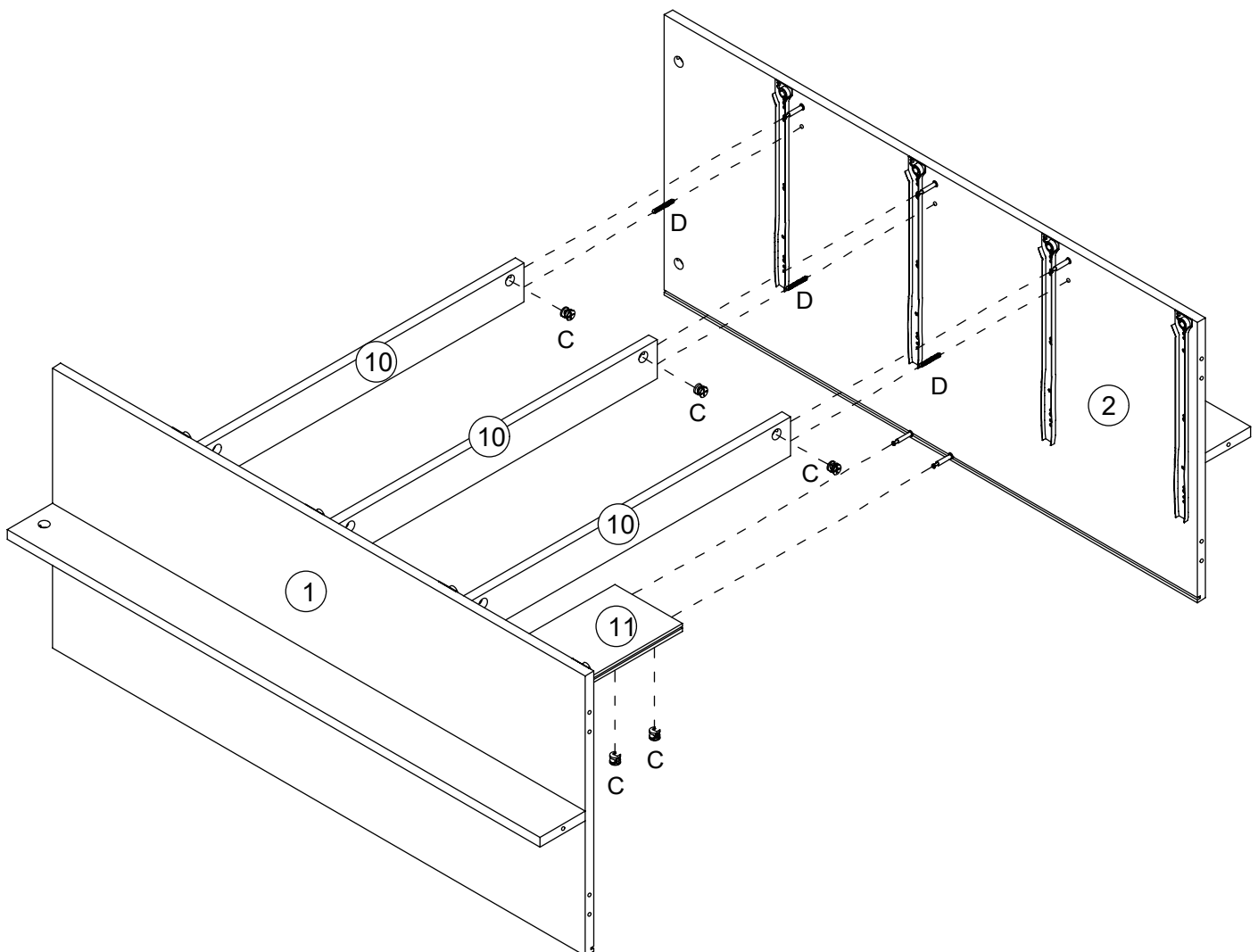
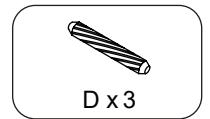
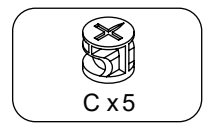
# STEP 9



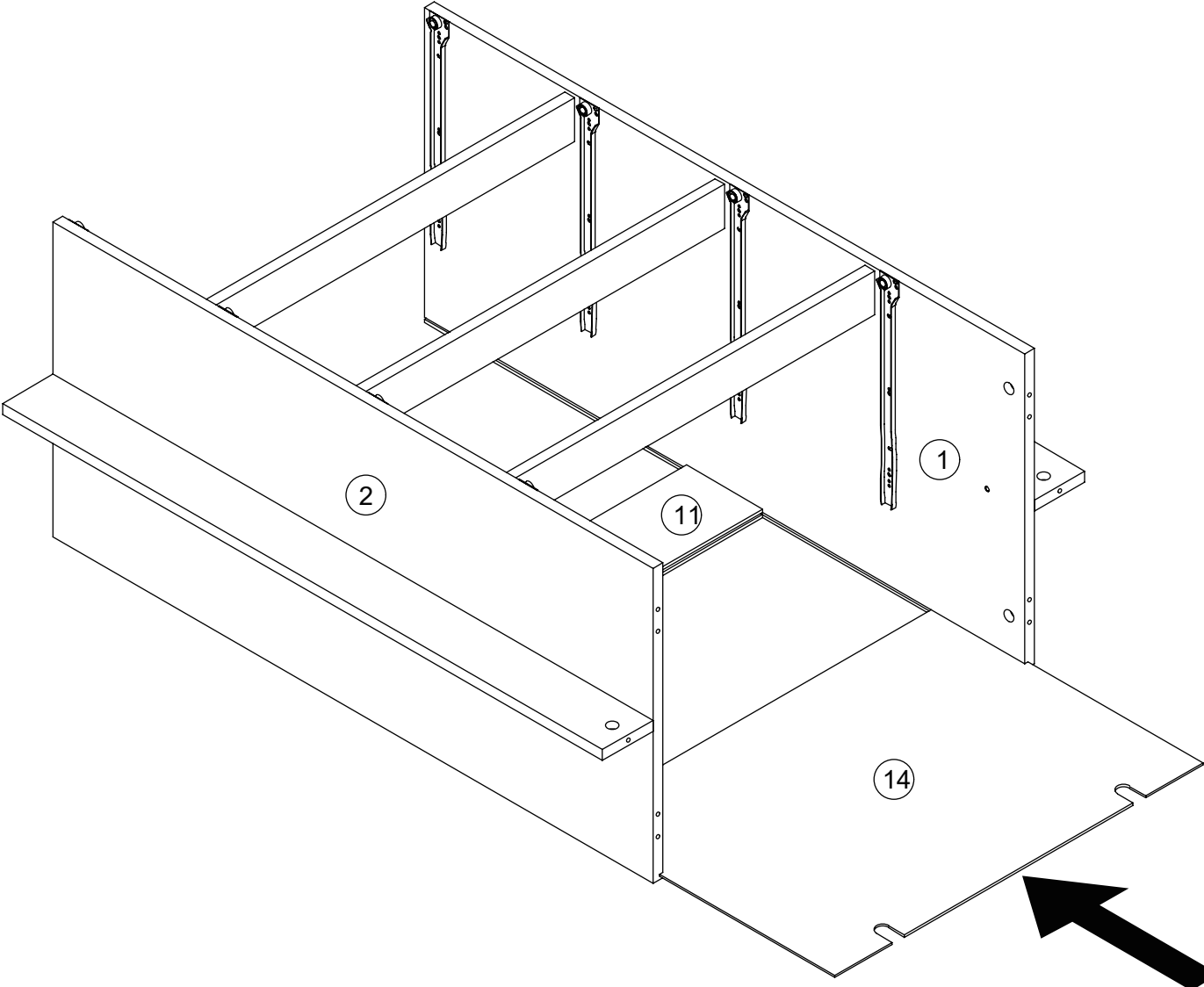
# STEP 10



# STEP 11

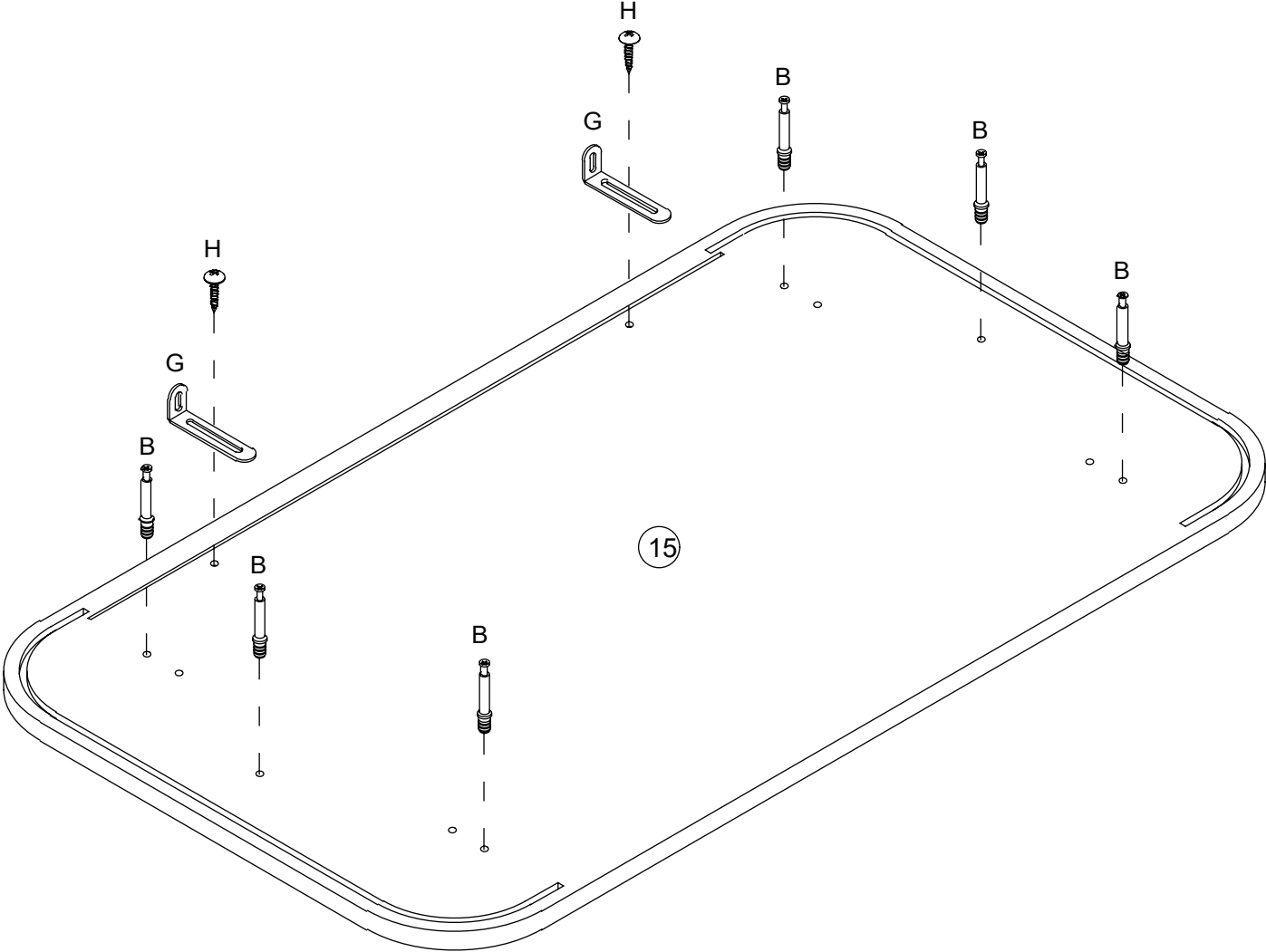
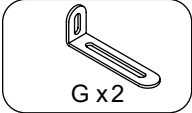
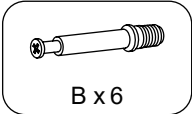


# STEP 12

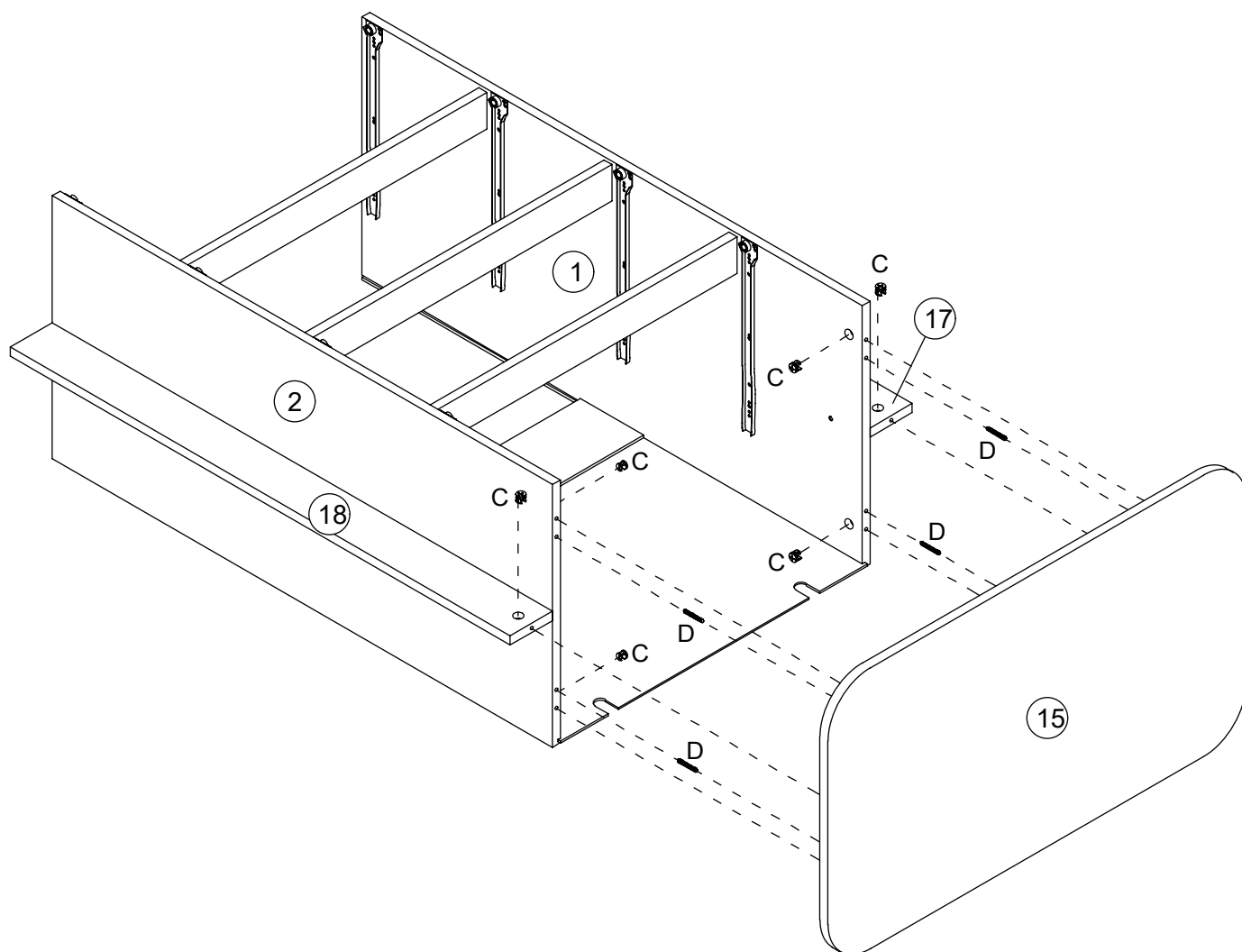




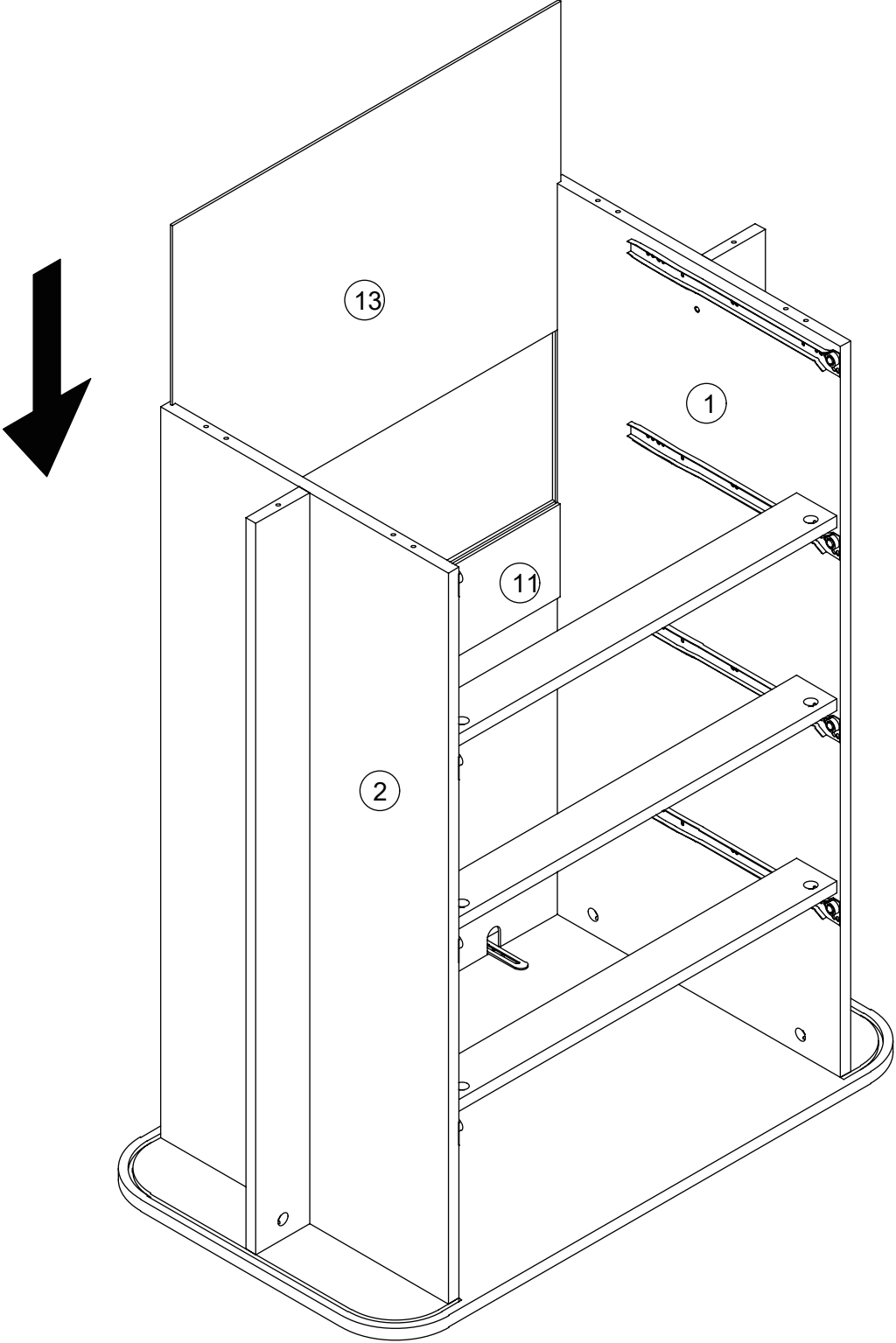
# STEP 13



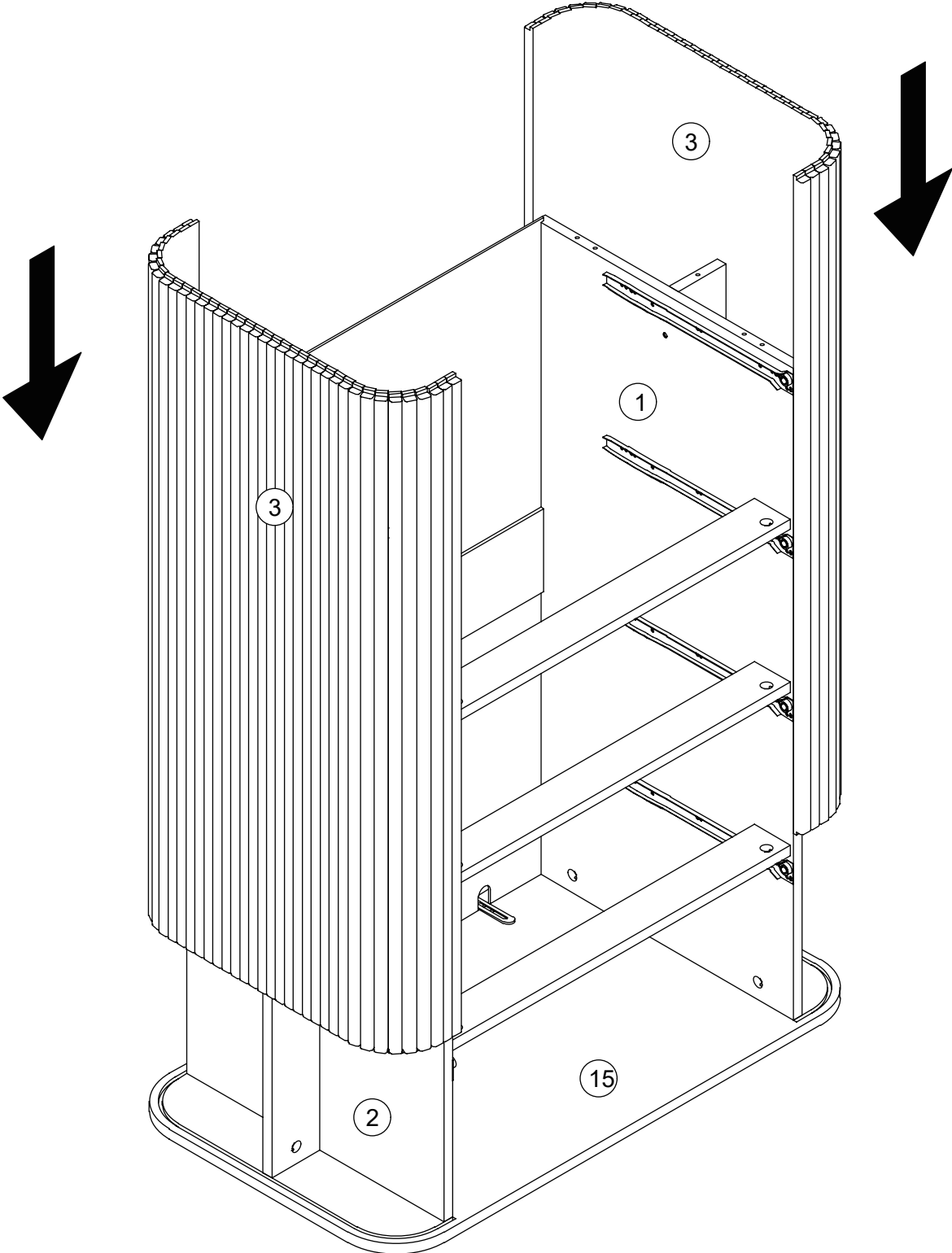
# STEP 14



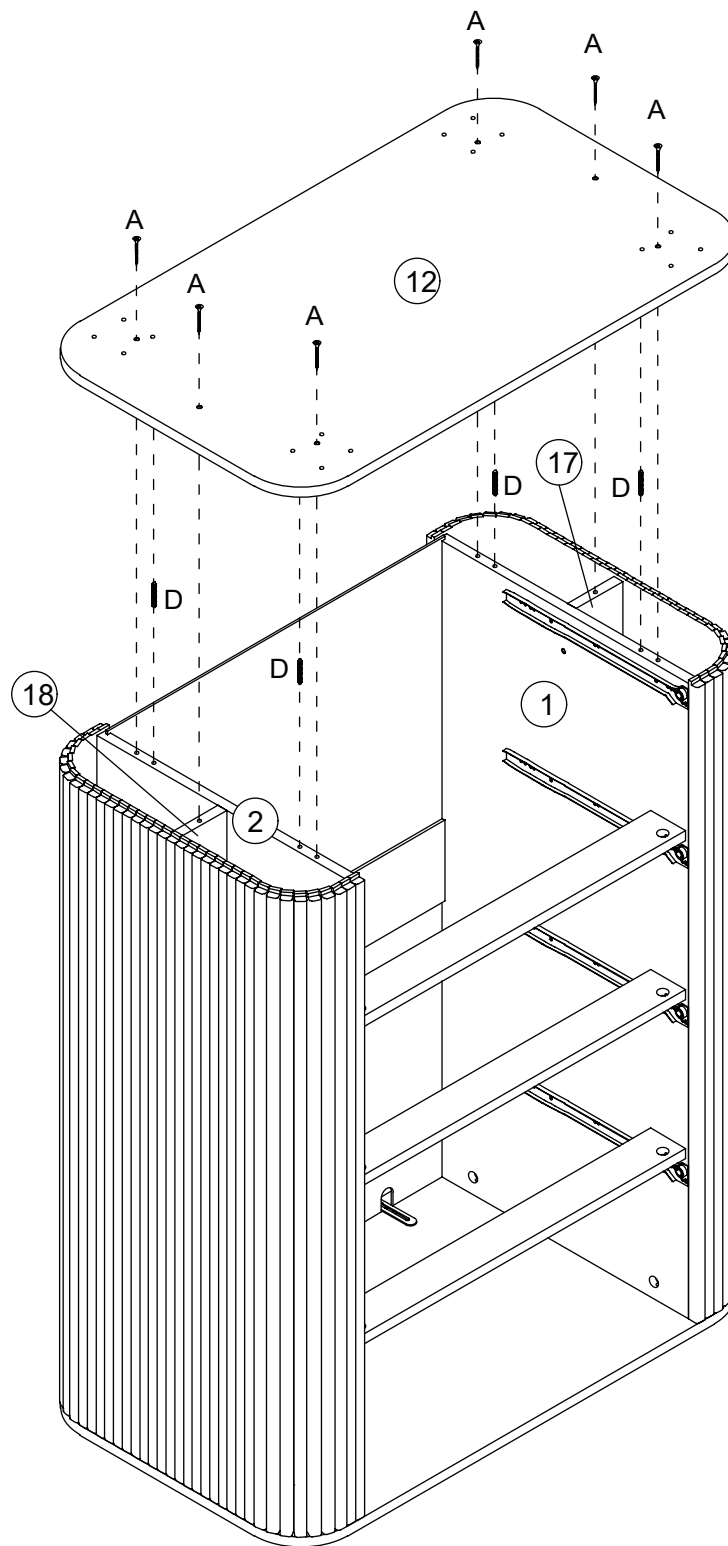
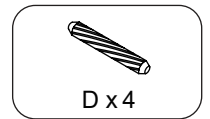
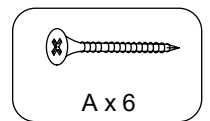
STEP 15



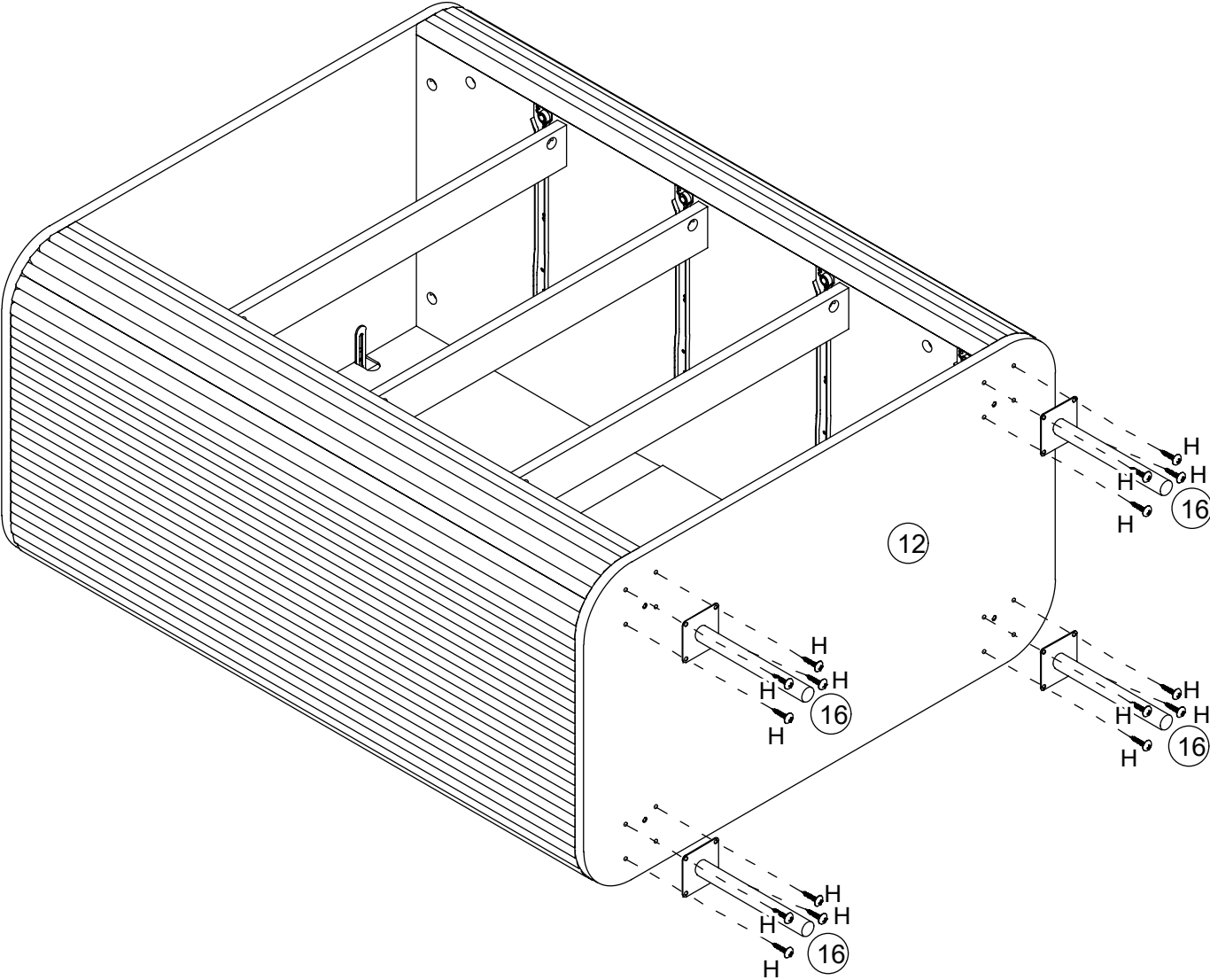
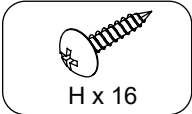
STEP 16



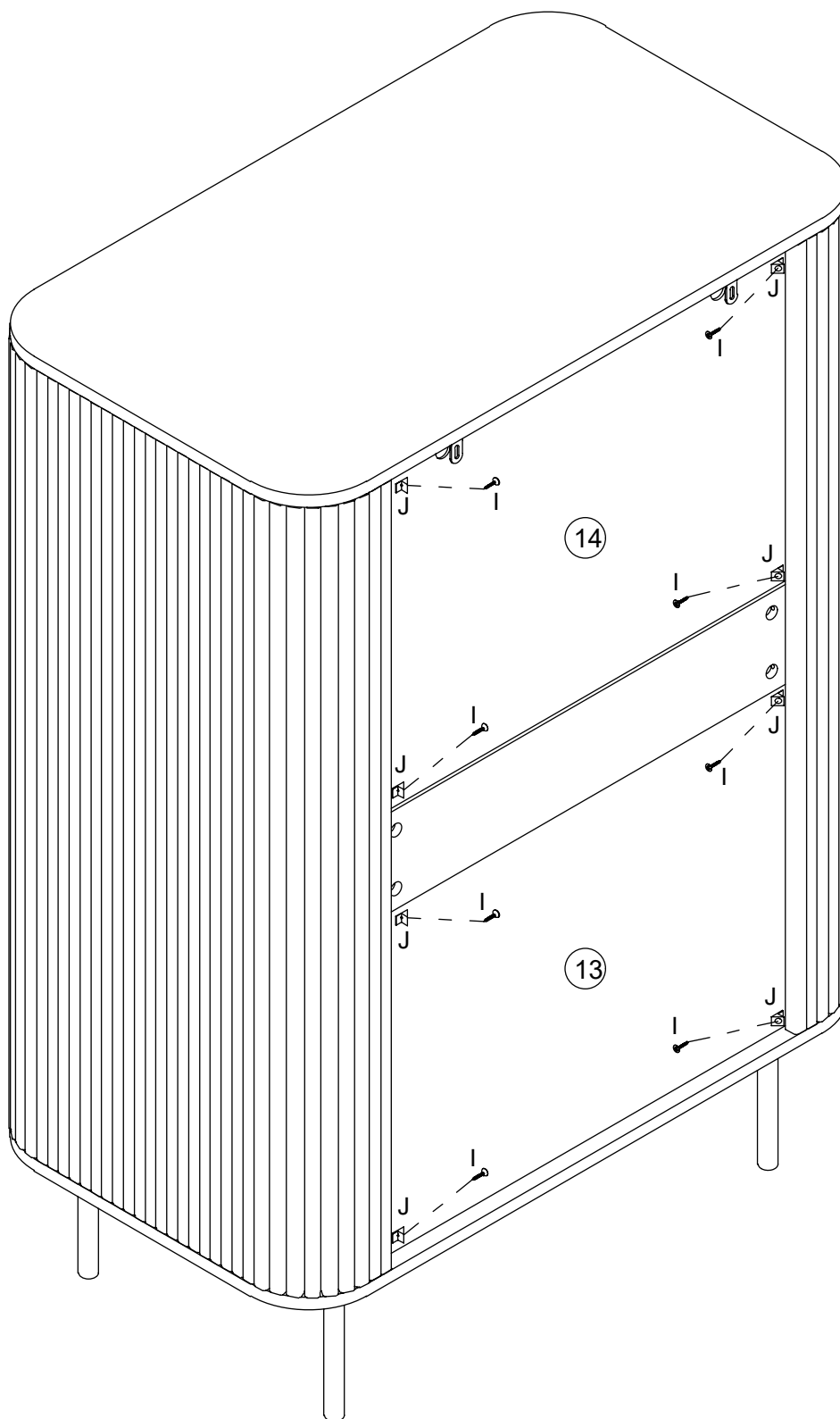
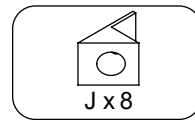
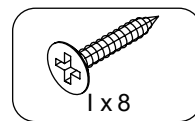
# STEP 17



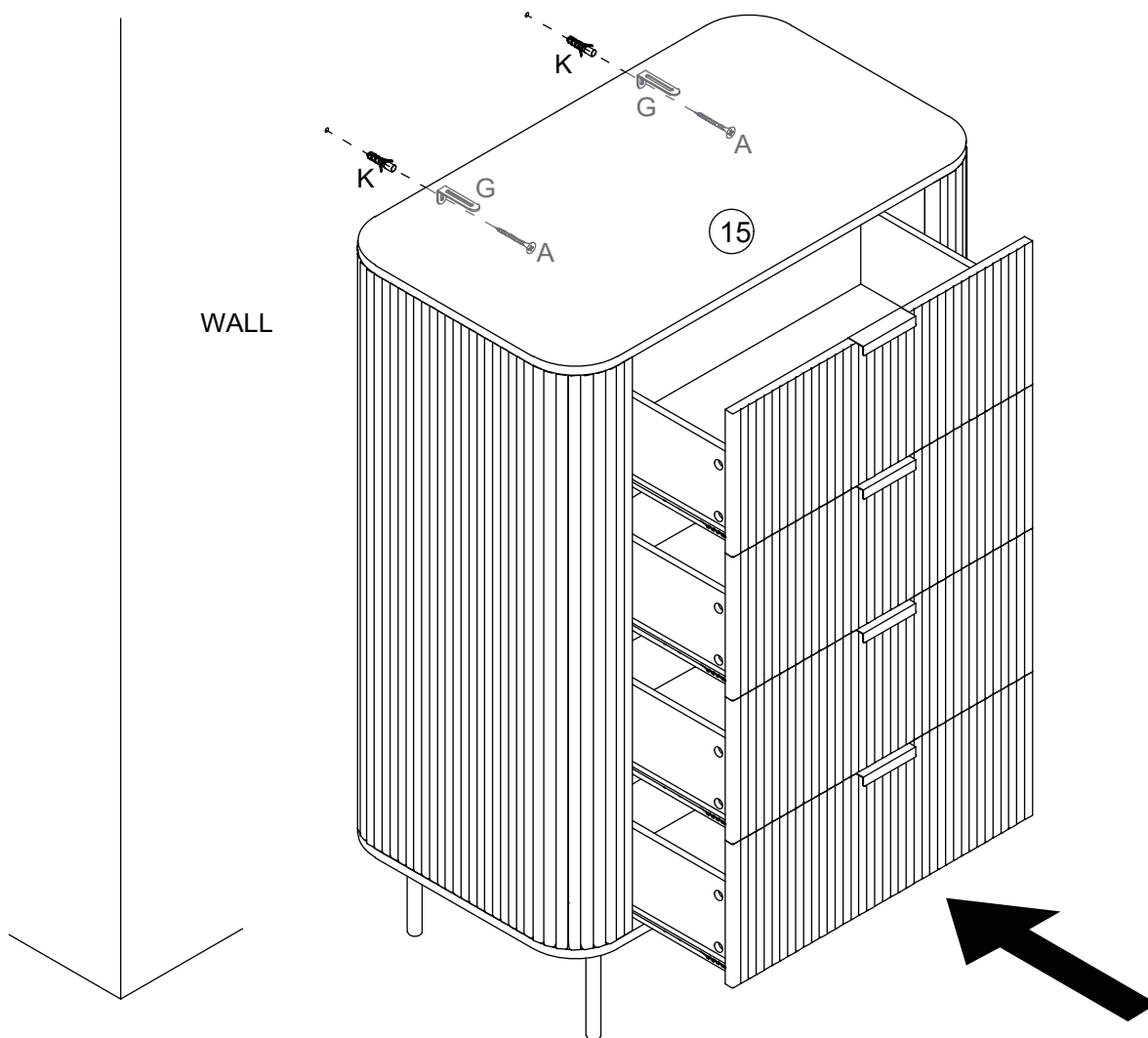
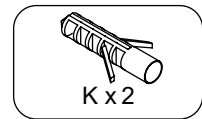
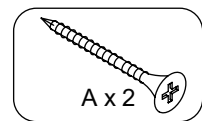
# STEP 18



# STEP 19



# STEP 20





STEP 21

